

FUSE HOLDERS

Features:

- Recessed, tough-proof screw terminals, and enclosed fuse ensure personnel safety with or without fuse, in the open or closed position.
- CSA and UL Rated for 30A, 600V maximum.
- Available from stock in 1, 2, 3 or 4 pole versions, with or without neon blown fuse indicator.
- Reliable screw compression clamp accepts up to 10 AWG wire.
- Thermoplastic polyester (UL-VO) insulated body features wide ventilation slots to help dissipate heat from the fuse.

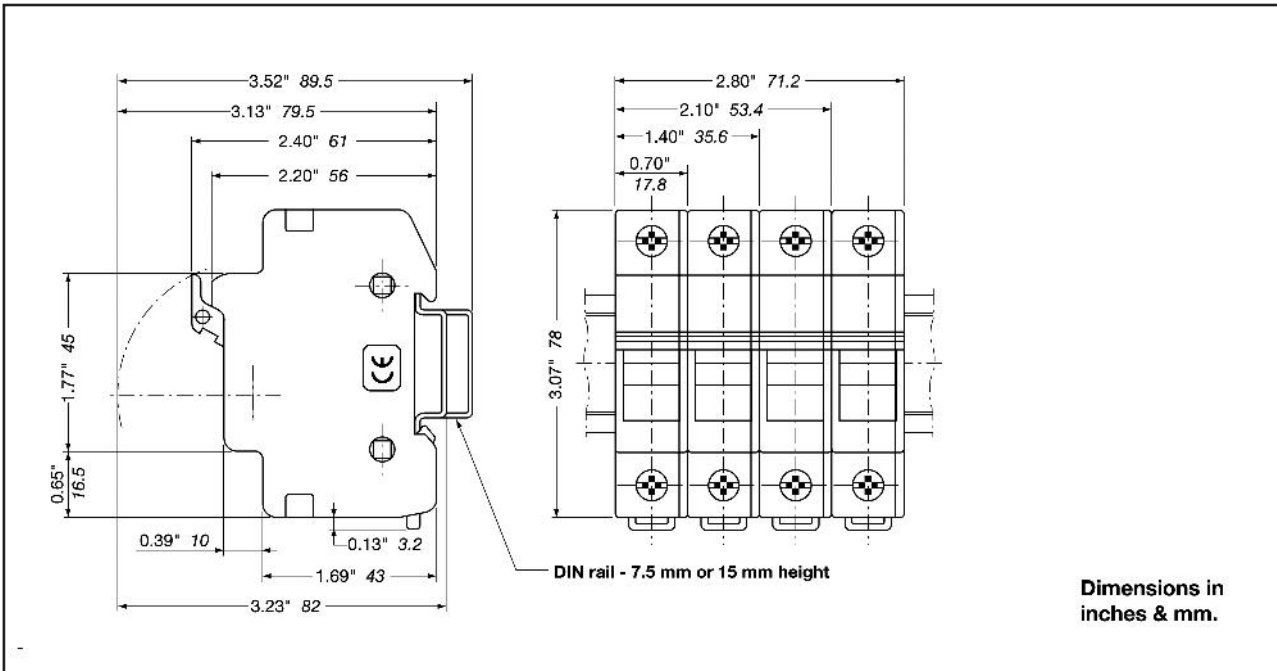


Industrial Control Direct offers a complete line of competitively priced DIN Rail Mount Fuse Holders. Manufactured to the level of quality you expect, our fuse holders are available for both midjet (13/32 x 1-1/2") and class cc rejection fuses. All are RoHS compliant.

Tel: 817.375.0023 FAX 817.549.0249

www.icontroldirect.com

DIMENSIONS



Technical Specifications:

Mechanical

Nominal wire size:	10AWG (6mm ²) solid or stranded wire
Connection:	Screw compression clamp
Tightening torque:	Nominal 13.6 lb. in. flat or Philips head screwdriver
Contacts:	Electrolytic silver plated copper
Body material:	Self-extinguishing, UL V0. thermoplastic polyester, highly temperature resistant
Mounting:	Snap-on to symmetrical DIN rail; isolated from rail

Electrical

Rated voltage, max.	600 VAC
Rated current, max.	30A
Blown fuse indicator:	Neon, on when fuse blows
Operating voltage:	120/600 VAC
Leakage current through neon indicator:	
at 120 VAC:	load connected, 0.5 mA approx.
at 220 VAC:	load connected, 0.6 mA approx.



Our fuse holders feature a front hinged lever cartridge for safe and convenient fuse insertion and replacement. These fuse holders snap easily onto 35mm symmetrical DIN rail, and any number of poles can be ganged together with the assembly accessories that can greatly reduce your inventory.

Replacement of the fuse requires no special tools, and order fuse holders with a neon indicator to quickly identify defective circuits and reduce downtime.

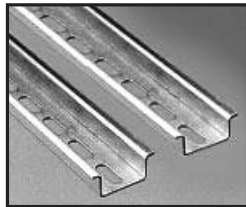
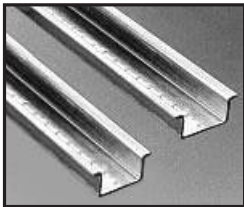
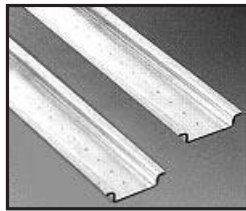
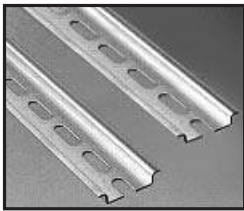
The unique design provides wide fuse contact surface and has electrolytic silver plated copper contacts to ensure minimal contact resistance and reliable operations.

A dummy fuse link is available for creation of neutral poles.

Ordering Information

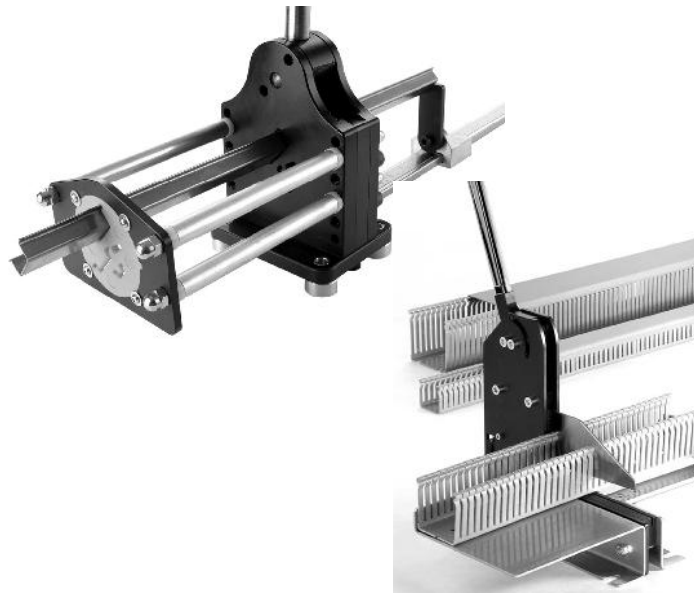
Part Number	Description
400.201	1 Pole Fuse Holder for Midget Fuses
400.202	2 Pole Fuse Holder for Midget Fuses
400.203	3 Pole Fuse Holder for Midget Fuses
400.211	1 Pole Fuse Holder for Midget Fuses with neon indicator
400.212	2 Pole Fuse Holder for Midget Fuses with neon indicator
400.213	3 Pole Fuse Holder for Midget Fuses with neon indicator
400.501	1 Pole Fuse Holder for CC Fuses
400.502	2 Pole Fuse Holder for CC Fuses
400.503	3 Pole Fuse Holder for CC Fuses
400.511	1 Pole Fuse Holder for CC Fuses with neon indicator
400.512	2 Pole Fuse Holder for CC Fuses with neon indicator
400.513	3 Pole Fuse Holder for CC Fuses with neon indicator
450.091	Dummy Fuse Link

ALSO AVAILABLE



Industrial Control Direct offers a complete line of competitively priced DIN rail (DIN EN 50022, 50035, 50045). These rails are available in either aluminum or cold rolled steel (electrolytically plated according to 2002/95 EC RoHS Directive.)

With our wide selection of models available Industrial Control Direct provides the most complete line of competitively priced DIN rail & wire duct cutting tools .



Tel: 817.375.0023 FAX 817.549.0249

www.icontroldirect.com