

POWER DISTRIBUTION BLOCK

UL 1059



SCCR 100 kA



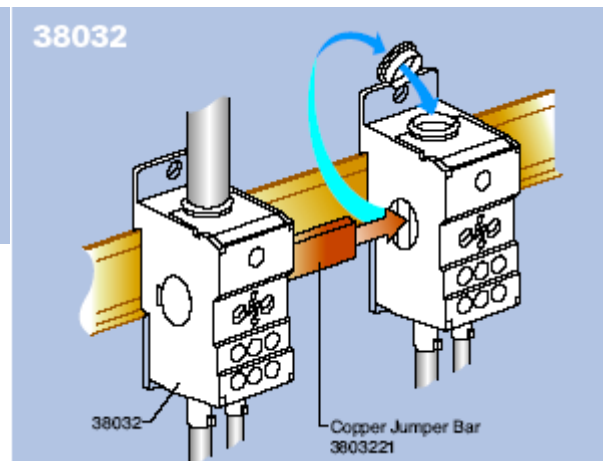
SCCR 100 kA



SCCR 100 kA

Part Number	38076		38032		38074	
Approvals						
Current Ratings	115A	125A	160A	160A	175A	175A
Voltage Rating	600VAC	690VAC	600VAC	690VAC	600VAC	690VAC
No. of Input.	1	1	1	1	1	1
Wire Range	8-2AWG	10-35mm ²	8-2/0AWG	10-70mm ²	6-2/0AWG	16-70mm ²
Torque	53lb/in.	6Nm	35.5lb/in.	4Nm	53lb/in.	6Nm
Screw Type	HEX 4		HEX 5		HEX 5	
No. of Outputs	10	10	6	6	10	10
Wire Range	14-4AWG	2.5-16mm ²	14-6AWG	2.5-16mm ²	14-4AWG	2.5-16mm ²
Torque	26.5lb/in.	3Nm	17.5lb/in.	2Nm	26.5lb/in.	3Nm
Screw Type	HEX 3		HEX 3		HEX 3	

Accessories: Copper Jumper Bar
(6x15 mm)
Part No: **3803221** for 2 Blocks
3803231 for 3 Blocks
3803241 for 4 Blocks
can be cut



FEATURES

POWER DISTRIBUTION BLOCK

- Quick mounting and wiring
- IP20 Finger Safe
- Blocks fit with other DIN Rail mountable modular devices (Height 95mm, depth 44.5 mm)
- Accessories increase the number of outputs with only one input (applies only to 38041 and 38032)
- No caps to open or remove
- Material:
Housing: Polyamide
Metal Body: Brass









SCCR 100 kA



SCCR 100 kA

UL 1059

Part Number	38020		38019	
Approvals	 		 	
Current Ratings	230A	250A	310A	400A
Voltage Rating	600VAC	690VAC	600VAC	690VAC
No. of Input.	1	1	1	1
Wire Range	2-4/0AWG	35-120mm ²	3/0-350kcmil	95-185mm ²
Torque	170lb/in.	19Nm	230lb/in.	25Nm
Screw Type	HEX 6		HEX 8	
No. of Outputs	11	11	11	11
Wire Range	2 X 14-2AWG	2.5 X 35mm ²	2 X 14-2AWG	2.5 X 35mm ²
Torque	31lb/in.	3.5Nm	31lb/in.	3.5Nm
Wire Range	5 X 14-6AWG	5 X 2.5-16mm ²	5 X 14-6AWG	5 X 2.5-16mm ²
Torque	17.5lb/in.	2Nm	17.5lb/in.	2Nm
Wire Range	4 X 14-18AWG	4 X 2.5-10mm ²	4 X 14-18AWG	4 X 2.5-10mm ²
Torque	17.5lb/in.	2Nm	17.5lb/in.	2Nm
Screw Type	Standard Screwdriver		Standard Screwdriver	

THREE PHASE POWER DISTRIBUTION BLOCK

- Quick mounting and wiring
- IP20 Finger Safe
- Blocks fit with other DIN Rail mountable modular devices
- Same compact size for both ratings
- No caps to open or remove
- Material:
Housing: Polyamide
Metal Body: Brass



UL 1059

SCCR 100 kA

SCCR 100 kA

Part Number	38075		38073	
Approvals				
Current Ratings	115A	115A	175A	175A
Voltage Rating	600VAC	690VAC	600VAC	690VAC
No. of Input.	3X1	3X1	3X1	3X1
Wire Range	8-2AWG	10-35mm ²	8-2/0AWG	10-70mm ²
Torque	31lb/in.	3.5Nm	35.5lb/in.	4Nm
Screw Type	HEX 4		HEX 5	
No. of Outputs	3X6	3X6	3X6	3X6
Wire Range	14-4AWG	2.5 X 16mm ²	2 X 14-2AWG	2.5 X 35mm ²
Torque	31lb/in.	3.5Nm	31lb/in.	3.5Nm
Wire Range	5 X 14-6AWG	2.5-16mm ²	14-4AWG	2.5-16mm ²
Torque	17.5lb/in.	2Nm	17.5lb/in.	2Nm
Screw Type	HEX 3		HEX 3	

SPLICER TERMINAL BLOCK



UL 1059

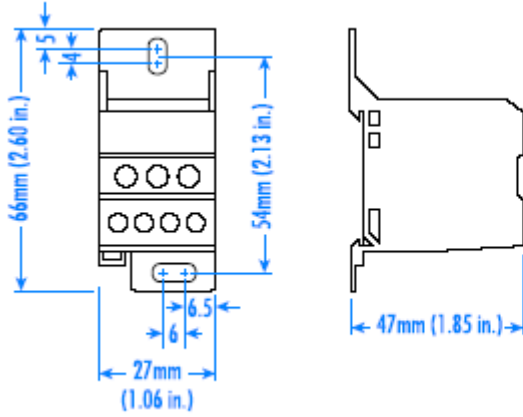
Part Number	38064		38057		38059	
Approvals						
Current Ratings	175A	175A	400A	400A	800A	800A
Voltage Rating	600VAC	690VAC	600VAC	690VAC	600VAC	690VAC
No. of Input.	1	1	1	1	2	2
Wire Range	14-1AWG	2.5-50mm ²	6AWG-400MCM	16-185mm ²	3AWG-600MCM	25-300mm ²
Torque	106.2lb/in.	12Nm	221lb/in.	25Nm	310lb/in.	35Nm
Screw Type	HEX 5		HEX 10		HEX 10	
No. of Outputs	1	1	1	1	2	2
Wire Range	14-1AWG	2.5-50mm ²	6AWG-400MCM	16-185mm ²	3AWG-600MCM	25-300mm ²
Torque	106.2lb/in.	12Nm	221lb/in.	25Nm	310lb/in.	35Nm
Screw Type	HEX 5		HEX 10		HEX 10	

DIMENSIONS

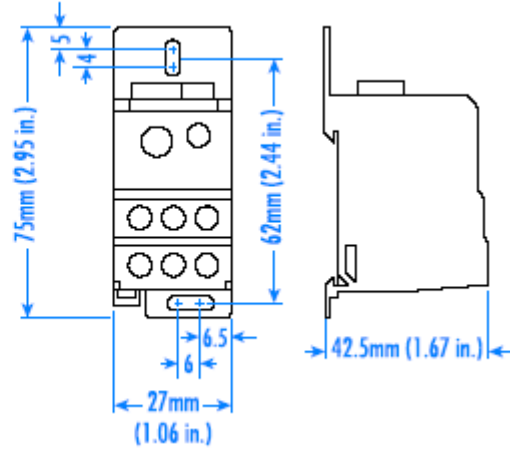
UL FILE E98082

UL 1059

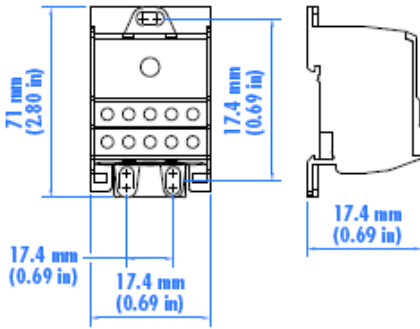
38049



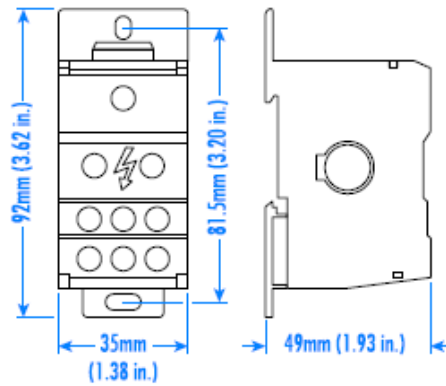
38051



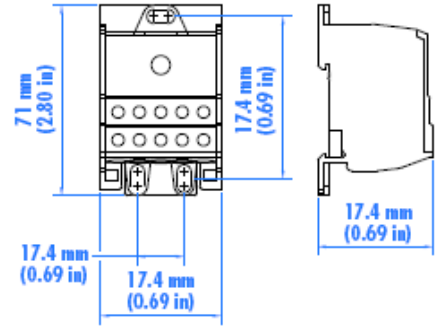
38076



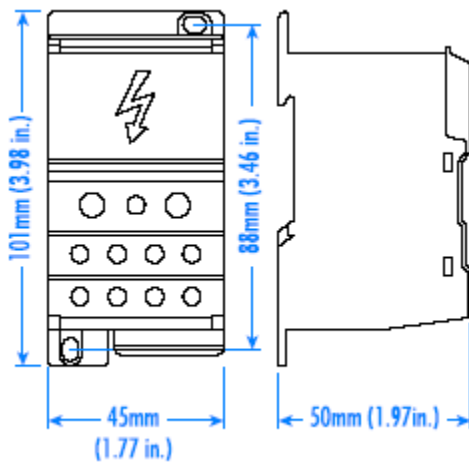
38032



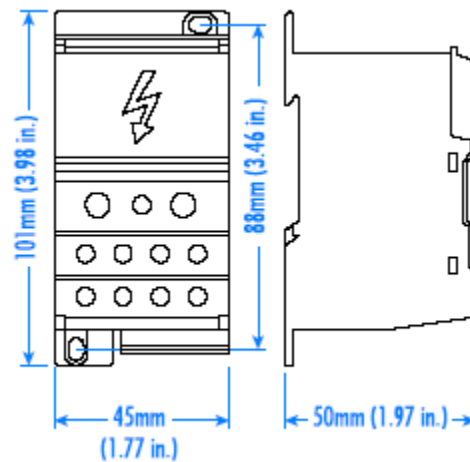
38074



38020



38019

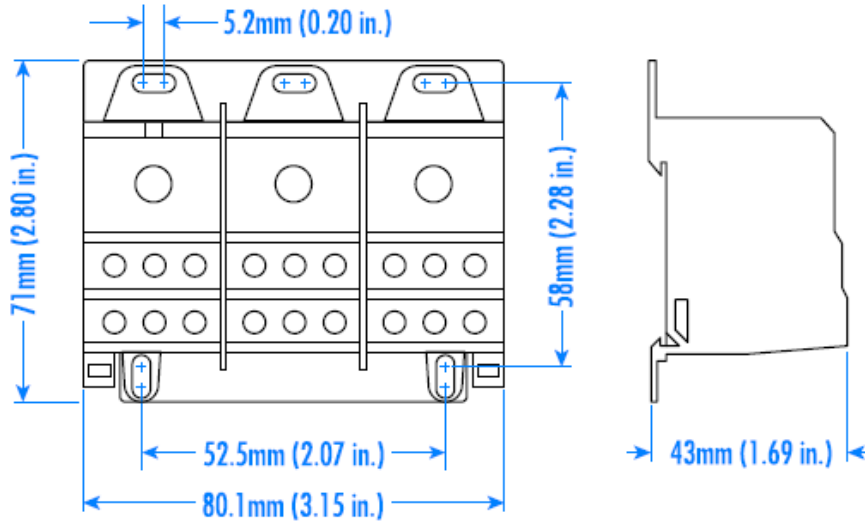


DIMENSIONS

UL 1059

38075

38073



38064

38057

38059

