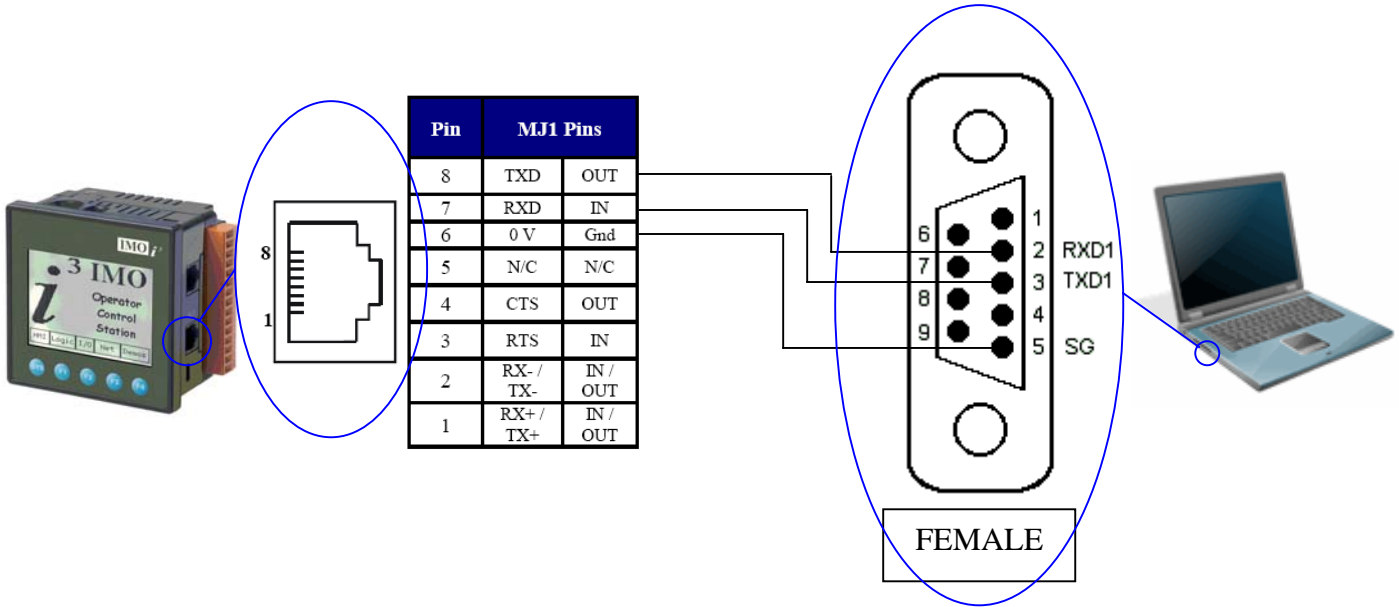


## i<sup>3</sup> Programming Cable (All Models)



IMO Precision Controls Limited  
 1000 North Circular Road  
 Staples Corner, London  
 NW2 7JP United Kingdom  
 Tel: +44 (0)20 8452 6444  
 Fax: +44 (0)20 8450 2274  
 Email: imo@imopc.com  
 Web: www.imopc.com



IMO Jeambrun Automation SAS  
 165 Rue Jean Jaures,  
 94700 Maisons Alfort  
 Paris, France  
 Tel: +33 (0)1 45 13 47 05  
 Fax: +33 (0)1 45 13 47 37  
 Email: info@imopc.fr  
 Web: www.imopc.fr



IMO Deutschland  
 Für weitere Einzelheiten  
 zu IMO Agenten und  
 Distributoren in Ihrer Nähe  
 schreiben. Sie bitte ein E-mail  
 an folgende Adresse:  
 imo@imopc.com



IMO Italia  
 Viale A. Volta 127/a  
 50131 Firenze, Italia  
 Tel: +39 800 783281  
 Fax: +39 800 783282  
 Email: info@imopc.it  
 Web: www.imopc.it



IMO Canada  
 Unit 10, Whitmore Road  
 Woodbridge, Ontario.  
 L4L 8G4 Canada  
 Tel: +1 905 265 9844  
 Fax: +1 905 265 1749  
 Email: imocanada@imopc.com



Cam Switches  
 Din Terminals  
 Drives  
 Enclosures  
 Fieldbus remote I/O  
 Isolators & Switch Fuses  
 MCB & RCD  
 Motor Circuit Breakers  
 Motor Control Gear  
 Panel Meters  
 Relays  
 Signal Conditioning  
 Sockets  
 Timers  
 Transformers &  
 Power Supplies



Drives  
 Intelligent Terminals/HMI  
 Limit Switches  
 Photoelectric Switches  
 PLCs  
 Proximity Switches  
 Temperature Controls



Data Acquisition & Control  
 Drives  
 Intelligent Terminals/HMI  
 Limit Switches  
 Photoelectric Switches  
 Proximity Switches  
 PLCs  
 Signal Conditioning  
 Temperature Controls



Lightguards  
 Safety Limit Switches  
 Safety Relays



Jaguar VXM 0.37-500KW  
 Jaguar VXSM 0.37-7.5KW  
 Jaguar CUB 0.37-2.2KW



Audible devices  
 Chip-on-Board  
 Device programmers  
 LEDs & 7 seg. displays  
 PCB Terminal blocks  
 Relays - automotive  
 Relays - power  
 Relays - signal  
 Switches

All IMO products are tried, tested and approved  
 to relevant international quality standards

