

Tel: 817-375-0023

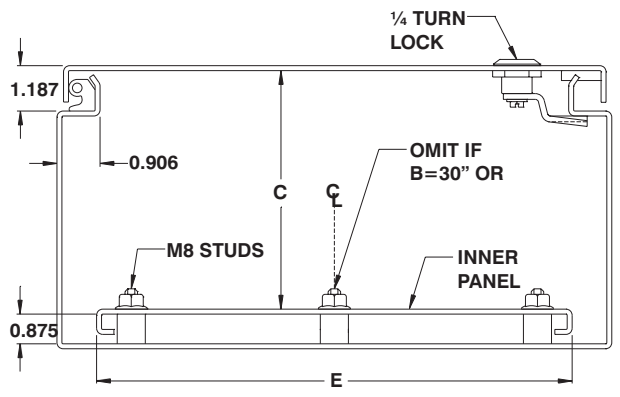
## Large utility enclosures

The 5100 ES are used where the control installation does not demand a high degree of protection (such as watertight or dust tight), but where a quality enclosure is warranted. The 5100 ES are made from quality 14 GA or 16 GA steel, with corner seams continuously welded. The opening has a curled lip around all sides to prevent dripping water from entering the enclosure when

the door is open, it also increases rigidity. The enclosure feature die cast hinges, which are bound to the cover by an exclusive one piece concealed hinge. the cover can be removed by unfastening the anti-vibration lock screws. A ¼ turn locking mechanism ensures positive closing. Internal mounting holes are provided. **Each enclosure comes complete with a 12 GA inner panel**

which is double bent\* for maximum rigidity and which mounts on M8 welded studs. Enclosures and panels are finished with heat fused polyester powder, electrostatically applied on a pretreated base. Box is ANSI/ASA 61 gray, panel is white (other colors available).

**CSA Certified / UL Listed  
NEMA/EEMAC 1 / IP30**



| CATALOG NUMBER | DIMENSIONS |    |   |    |    | SHIP WGHT LBS. |
|----------------|------------|----|---|----|----|----------------|
|                | A          | B  | C | D  | E  |                |
| 5100 ES121206  | 12         | 12 | 6 | 10 | 10 | 19             |
| 5100 ES122406  | 12         | 24 | 6 | 10 | 22 | 35             |
| 5100 ES161206  | 16         | 12 | 6 | 14 | 10 | 24             |
| 5100 ES161606  | 16         | 16 | 6 | 14 | 14 | 31             |
| 5100 ES162006  | 16         | 20 | 6 | 14 | 18 | 37             |
| 5100 ES201206  | 20         | 12 | 6 | 18 | 10 | 29             |
| 5100 ES201606  | 20         | 16 | 6 | 18 | 14 | 37             |
| 5100 ES202006  | 20         | 20 | 6 | 18 | 18 | 45             |
| 5100 ES202406  | 20         | 24 | 6 | 18 | 22 | 53             |
| 5100 ES241206  | 24         | 12 | 6 | 22 | 10 | 35             |
| 5100 ES241606  | 24         | 16 | 6 | 22 | 14 | 44             |
| 5100 ES242006  | 24         | 20 | 6 | 22 | 18 | 53             |
| 5100 ES242406  | 24         | 24 | 6 | 22 | 22 | 62             |
| 5100 ES301606  | 30         | 16 | 6 | 28 | 14 | 53             |
| 5100 ES302006  | 30         | 20 | 6 | 28 | 18 | 65             |
| 5100 ES302406  | 30         | 24 | 6 | 28 | 22 | 76             |
| 5100 ES362406  | 36         | 24 | 6 | 34 | 22 | 90             |
| 5100 ES363006  | 36         | 30 | 6 | 34 | 28 | 109            |
| 5100 ES122408  | 12         | 24 | 8 | 10 | 22 | 38             |
| 5100 ES161208  | 16         | 12 | 8 | 14 | 10 | 27             |
| 5100 ES161608  | 16         | 16 | 8 | 14 | 14 | 34             |
| 5100 ES162008  | 16         | 20 | 8 | 14 | 18 | 41             |
| 5100 ES201208  | 20         | 12 | 8 | 18 | 10 | 33             |
| 5100 ES201608  | 20         | 16 | 8 | 18 | 14 | 41             |
| 5100 ES202008  | 20         | 20 | 8 | 18 | 18 | 49             |
| 5100 ES202408  | 20         | 24 | 8 | 18 | 22 | 57             |
| 5100 ES241208  | 24         | 12 | 8 | 22 | 10 | 38             |
| 5100 ES241608  | 24         | 16 | 8 | 22 | 14 | 48             |
| 5100 ES242008  | 24         | 20 | 8 | 22 | 18 | 57             |
| 5100 ES242408  | 24         | 24 | 8 | 22 | 22 | 67             |
| 5100 ES243008  | 24         | 30 | 8 | 22 | 28 | 81             |
| 5100 ES301208  | 30         | 12 | 8 | 28 | 10 | 46             |
| 5100 ES301608  | 30         | 16 | 8 | 28 | 14 | 58             |
| 5100 ES302008  | 30         | 20 | 8 | 28 | 18 | 70             |
| 5100 ES302408  | 30         | 24 | 8 | 28 | 22 | 81             |
| 5100 ES303008  | 30         | 30 | 8 | 28 | 28 | 98             |
| 5100 ES303608  | 30         | 36 | 8 | 28 | 34 | 116            |
| 5100 ES362408  | 36         | 24 | 8 | 34 | 22 | 95             |
| 5100 ES363008  | 36         | 30 | 8 | 34 | 28 | 116            |
| 5100 ES363608  | 36         | 36 | 8 | 34 | 34 | 136            |
| 5100 ES422408  | 42         | 24 | 8 | 40 | 22 | 110            |
| 5100 ES423008  | 42         | 30 | 8 | 40 | 28 | 133            |
| 5100 ES423608  | 42         | 36 | 8 | 40 | 34 | 156            |
| 5100 ES482408  | 48         | 24 | 8 | 46 | 22 | 124            |
| 5100 ES483008  | 48         | 30 | 8 | 46 | 28 | 150            |
| 5100 ES483608  | 48         | 36 | 8 | 46 | 34 | 177            |
| 5100 ES603608  | 60         | 36 | 8 | 58 | 34 | 218            |

Data subject to change without notice.



p.442

p.442

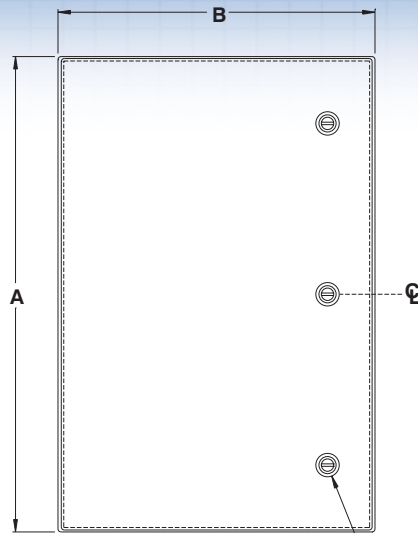
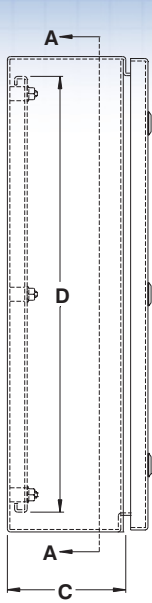
p.442

p.442

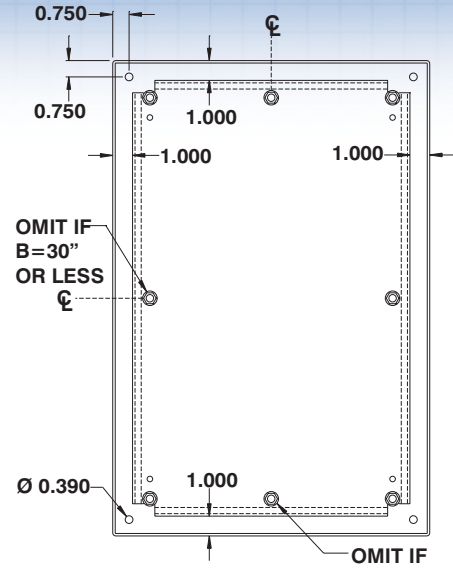
p.449

p.452

p.482



1 METAL LOCK IF A=30" OR LESS  
 2 METAL LOCKS IF A>30" AND A <60"  
 3 METAL LOCKS IF A=60" OR MORE



SECTION A-A

| CATALOG NUMBER | DIMENSIONS |    |    |    |    | SHIP WGHT LBS. |
|----------------|------------|----|----|----|----|----------------|
|                | A          | B  | C  | D  | E  |                |
| 5100 ES161210  | 16         | 12 | 10 | 14 | 10 | 30             |
| 5100 ES201610  | 20         | 16 | 10 | 18 | 14 | 44             |
| 5100 ES202010  | 20         | 20 | 10 | 18 | 18 | 53             |
| 5100 ES241210  | 24         | 12 | 10 | 22 | 10 | 42             |
| 5100 ES242010  | 24         | 20 | 10 | 22 | 18 | 62             |
| 5100 ES242410  | 24         | 24 | 10 | 22 | 22 | 71             |
| 5100 ES302010  | 30         | 20 | 10 | 28 | 18 | 74             |
| 5100 ES302410  | 30         | 24 | 10 | 28 | 22 | 86             |
| 5100 ES362410  | 36         | 24 | 10 | 34 | 22 | 101            |
| 5100 ES363010  | 36         | 30 | 10 | 34 | 28 | 122            |
| 5100 ES423010  | 42         | 30 | 10 | 40 | 28 | 140            |
| 5100 ES423610  | 42         | 36 | 10 | 40 | 34 | 164            |
| 5100 ES483010  | 48         | 30 | 10 | 46 | 28 | 158            |
| 5100 ES483610  | 48         | 36 | 10 | 46 | 34 | 185            |
| 5100 ES603610  | 60         | 36 | 10 | 58 | 34 | 227            |
| 5100 ES201612  | 20         | 16 | 12 | 18 | 14 | 48             |
| 5100 ES202012  | 20         | 20 | 12 | 18 | 18 | 57             |
| 5100 ES202412  | 20         | 24 | 12 | 18 | 22 | 66             |
| 5100 ES242012  | 24         | 20 | 12 | 22 | 18 | 66             |
| 5100 ES242412  | 24         | 24 | 12 | 22 | 22 | 76             |
| 5100 ES302412  | 30         | 24 | 12 | 28 | 22 | 92             |
| 5100 ES303012  | 30         | 30 | 12 | 28 | 28 | 110            |
| 5100 ES362412  | 36         | 24 | 12 | 34 | 22 | 107            |
| 5100 ES363012  | 36         | 30 | 12 | 34 | 28 | 129            |
| 5100 ES363612  | 36         | 36 | 12 | 34 | 34 | 150            |
| 5100 ES422412  | 42         | 24 | 12 | 40 | 22 | 118            |

| CATALOG NUMBER | DIMENSIONS |    |    |    |    | SHIP WGHT LBS. |
|----------------|------------|----|----|----|----|----------------|
|                | A          | B  | C  | D  | E  |                |
| 5100 ES423012  | 42         | 30 | 12 | 40 | 28 | 147            |
| 5100 ES423612  | 42         | 36 | 12 | 40 | 34 | 172            |
| 5100 ES482412  | 48         | 24 | 12 | 46 | 22 | 138            |
| 5100 ES483612  | 48         | 36 | 12 | 46 | 34 | 193            |
| 5100 ES602412  | 60         | 24 | 12 | 58 | 22 | 169            |
| 5100 ES603612  | 60         | 36 | 12 | 58 | 34 | 236            |
| 5100 ES723012  | 72         | 30 | 12 | 70 | 28 | 240            |
| 5100 ES723612  | 72         | 36 | 12 | 70 | 34 | 279            |
| 5100 ES242016  | 24         | 20 | 16 | 22 | 18 | 74             |
| 5100 ES242416  | 24         | 24 | 16 | 22 | 22 | 86             |
| 5100 ES302416  | 30         | 24 | 16 | 28 | 22 | 102            |
| 5100 ES362416  | 36         | 24 | 16 | 34 | 22 | 119            |
| 5100 ES363016  | 36         | 30 | 16 | 34 | 28 | 142            |
| 5100 ES423616  | 42         | 36 | 16 | 40 | 34 | 187            |
| 5100 ES483616  | 48         | 36 | 16 | 46 | 34 | 210            |
| 5100 ES603616  | 60         | 36 | 16 | 58 | 34 | 255            |
| 5100 ES723016  | 72         | 30 | 16 | 70 | 28 | 260            |
| 5100 ES723616  | 72         | 36 | 16 | 70 | 34 | 301            |
| 5100 ES302420  | 30         | 24 | 20 | 28 | 22 | 113            |
| 5100 ES363020  | 36         | 30 | 20 | 34 | 28 | 155            |
| 5100 ES483620  | 48         | 36 | 20 | 46 | 34 | 226            |
| 5100 ES603620  | 60         | 36 | 20 | 58 | 34 | 274            |
| 5100 ES723020  | 72         | 30 | 20 | 70 | 28 | 280            |
| 5100 ES302424  | 30         | 24 | 24 | 28 | 22 | 123            |
| 5100 ES723024  | 72         | 30 | 24 | 70 | 28 | 300            |

\* Only panels with sides 20" or more are double bent.



p.463

p.484

p.467

p.530

p.536

p.494



Data subject to change without notice.