

# NEMA 4-12 ENCLOSURES

# 5412 ESCHW

## Windowed JIC enclosures

The 5412 ESCHW are used indoors or outdoors to protect the enclosed controls from dust, dirt, oil and water splashing. The 5412 ESCHW are made from quality 16 GA steel, with corner seams continuously welded. The window is made of ¼" lexan. The opening has a curled lip around all sides to prevent dripping water from entering the enclosure when the door is open, it also increases rigidity. A high quality robotically poured-in-place seamless gasket ensures a complete and durable

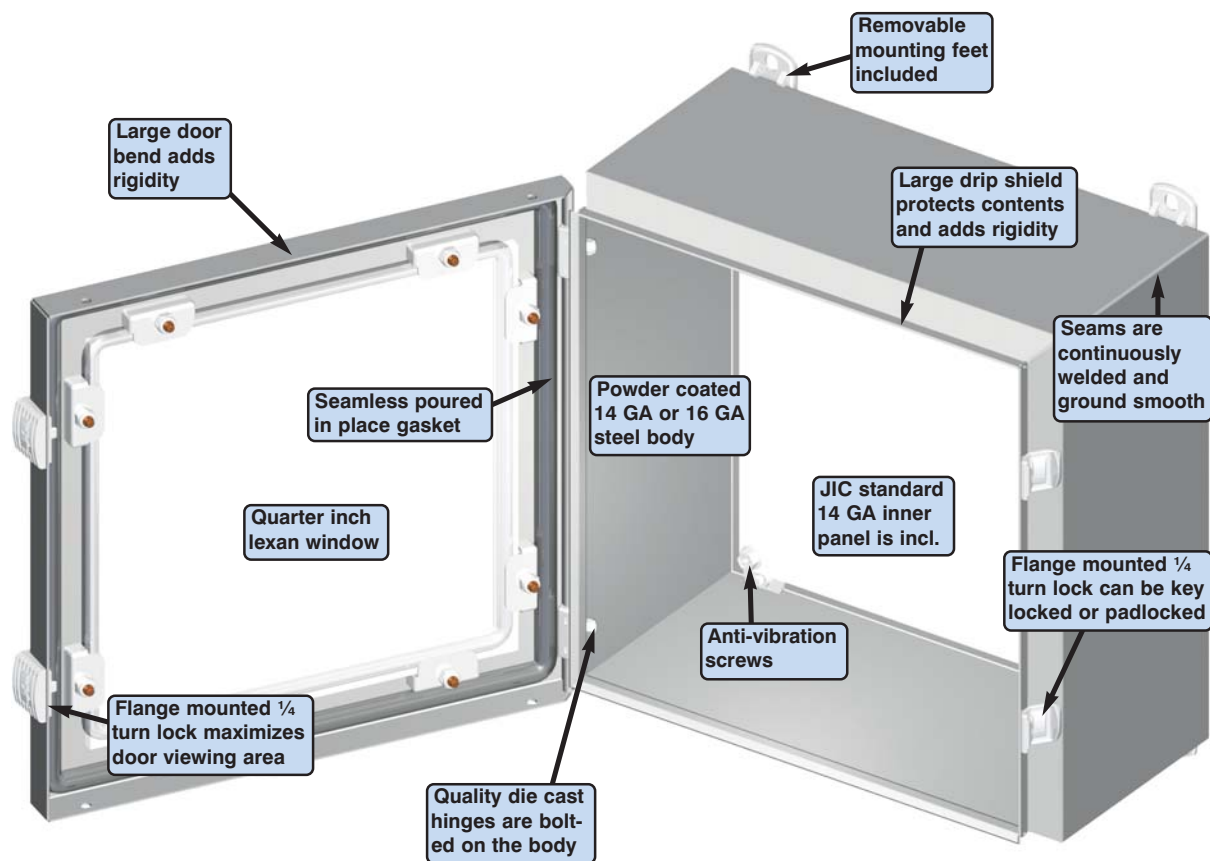
water tight seal.

The enclosures feature die cast hinges, which are bound to the cover by an exclusive concealed hinge pin system. The covers are interchangeable and can be removed by unfastening the anti-vibration lock nuts.

**EXM's exclusive flange-mounted ¼ turn locking system** ensures positive closing while leaving a full viewing area on the door. Each enclosure comes **complete with a 14 GA inner panel** which mounts on weld

nuts. The enclosure can be internally mounted or externally mounted using the included wall mounting feet. These feet have oblong holes to facilitate installation. Enclosures and panels are finished with heat fused polyester powder, electrostatically applied on a pretreated base. Box is ANSI/ASA 61 gray, panel is white (other colors available).

**CSA Certified / UL Listed  
NEMA/EEMAC 4-12 / IP66**



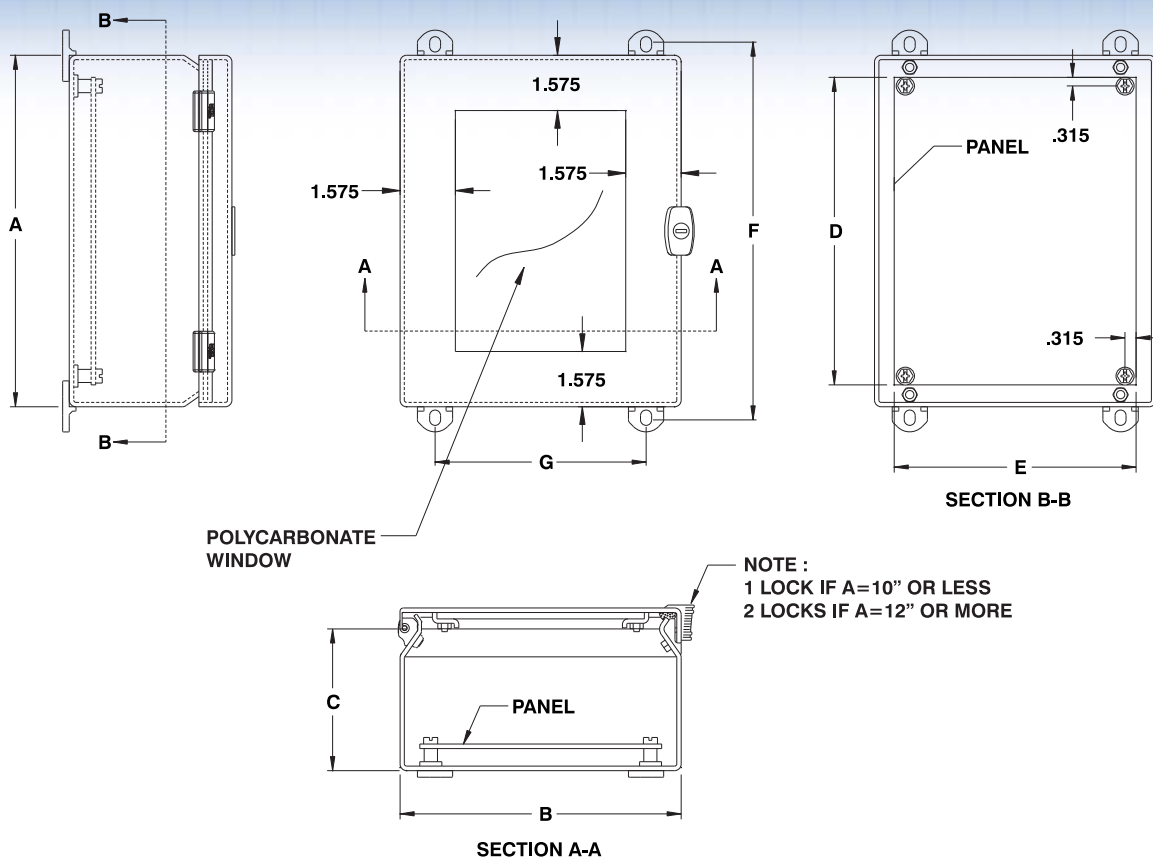
The 5412 ESCHW -  
Another EXM innovation

Data subject to  
change without  
notice.



# NEMA 4-12 ENCLOSURES

# 5412 ESCHW



CATALOG NUMBER	DIMENSIONS							SHIP WGT LBS.
	A	B	C	D	E	F	G	
5412 ESCHW080804	8	8	4	6.88	6.88	8.75	6	8
5412 ESCHW081004	8	10	4	6.88	8.88	8.75	8	10
5412 ESCHW100804	10	8	4	8.88	6.88	10.75	6	10
5412 ESCHW101005	10	10	5	8.88	8.88	10.75	8	14
5412 ESCHW101205	10	12	5	8.88	10.88	10.75	10	16
5412 ESCHW121005	12	10	5	10.88	8.88	12.75	8	16
5412 ESCHW121205	12	12	5	10.88	10.88	12.75	10	18
5412 ESCHW100806	10	8	6	8.88	6.88	10.75	6	12
5412 ESCHW101006	10	10	6	8.88	8.88	10.75	8	14
5412 ESCHW121206	12	12	6	10.88	10.88	12.75	10	18
5412 ESCHW121406	12	14	6	10.88	12.88	12.75	12	19
5412 ESCHW140806	14	8	6	12.88	6.88	14.75	6	10
5412 ESCHW141206	14	12	6	12.88	10.88	14.75	10	19
5412 ESCHW141606	14	16	6	12.88	14.88	14.75	14	23
5412 ESCHW161006	16	10	6	14.88	8.88	16.75	8	19
5412 ESCHW161206	16	12	6	14.88	10.88	16.75	10	21
5412 ESCHW161406	16	14	6	14.88	12.88	16.75	12	23
5412 ESCHW121008	12	10	8	10.88	8.88	12.75	8	16
5412 ESCHW141208	14	12	8	12.88	10.88	14.75	10	20
5412 ESCHW161208	16	12	8	14.88	10.88	16.75	10	25
5412 ESCHW161408	16	14	8	14.88	12.88	16.75	12	26
5412 ESCHW161410	16	14	10	14.88	12.88	16.75	12	27



p.462



Data subject to change without notice.