

DPS Series 3 Phase 240W AC-DC DIN Rail Power Supplies

- 24 & 48VDC
- 3 phase input 340~575VAC
- UL, cUL, UR, cUR, CE
- High efficiency
- Short circuit protection
- Internal input filter
- 3 Year warranty
- IP20

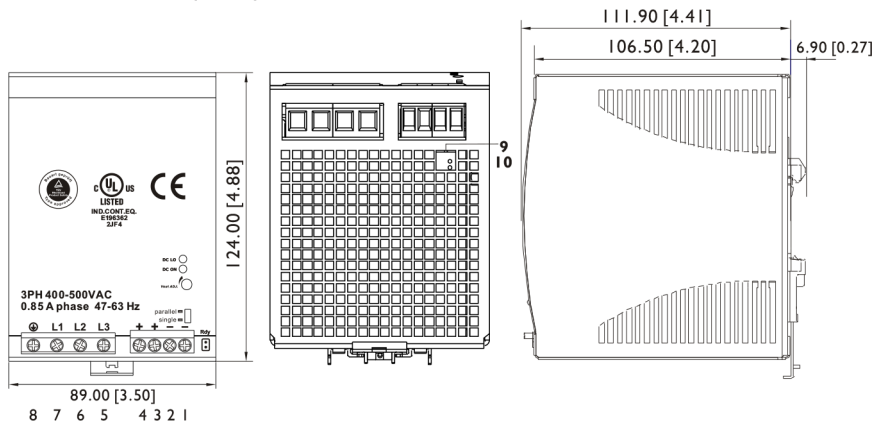


Specification - 240W Output

Model	DPS-3-240-24DC	DPS-3-240-48DC
Input Voltage	340 ~ 575VAC	
Output Wattage	240W	
Output Voltage	24VDC	48VDC
Output Current	10A	5A
Efficiency (min/typ)	88/90%	89/91%
General Specification		
Approval	cURus	
Isolation Voltage	3000VAC/4242VDC	
Isolation Resistance	100MΩ @ 500VDC	
Ambient Temperature	-40 to +71°C	
Derating	(61 to 71°C) 2.5%/°C	
Storage Temperature	-40 to +85°C	
Relative Humidity	20 to 95% RH	
Cooling	Free air convection	
Dimensions	L124 x W89 x D118.8 mm	
Weight	1100g	
Case Material	Metal	
Input Specifications		
Rated Input Voltage	400 ~ 500VAC	
Input Voltage Range	340 to 575VAC, 480 to 820VDC	
Line Frequency	47 ~ 63Hz	
Inrush Current (400VAC)	typ. 20A, max. 25A	
Output Specifications		
Output Voltage Accuracy	+1%	
Minimum Load	0%	
Line Regulation	±1%	
Load Regulation	±1%	
Turn On Time	1000ms after AC applied to input at full resistive load	
Voltage Fall Time	150ms	
Voltage Rise Time	150ms	
Hold Up Time (115 / 230VAC)	20ms	
Temperature Coefficient	±0.03%/°C	
Ripple & Noise	100mV	
Voltage Trim Range	22.5 ~ 28.5VDC	47 ~ 56VDC
DC ON & LOW Indicator (Green & Red LED)	17.6 ~ 19.4VDC	37 ~ 43VDC
Control & Protection		
Rated Overload Protection	120 ~ 140%	
Over Voltage Protection	30 ~ 33VDC	60 ~ 66VDC
Output Short Circuit	Hiccup Mode	

DPS Series 3 Phase 240W AC-DC DIN Rail Power Supplies

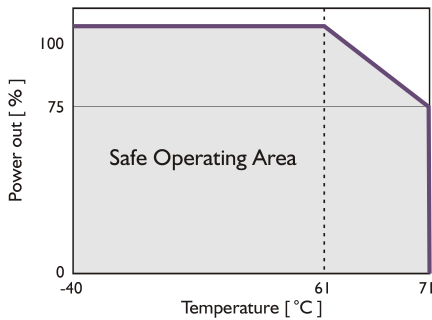
Dimensions (mm)



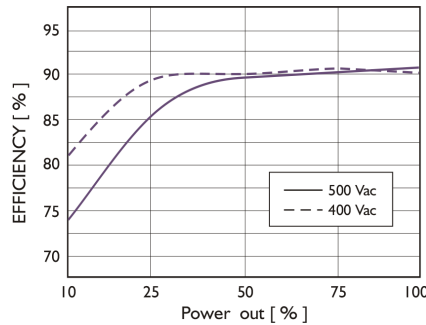
Pin Connections

Key	Description
1, 2	V - Negative output terminal
3, 4	V+ Positive output terminal
5	L3 Input terminals
6	L2 Input terminals
7	L1 Input terminals
8	Ground this terminal to minimise high-frequency emissions
9	RDY A normal open relay contact for DC ON level control
10	(Never connect except 24V model)
DC ON	Operation indicator LED
DC LO	DC LOW voltage indicator LED
Vout ADJ	Trimmer-potentiometer for Vout adjustment
S / P	Single / Parallel select switch

Derating



Typ. Efficiency Curve

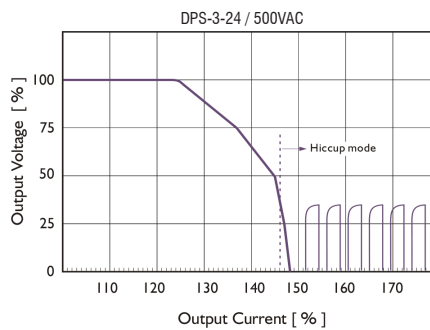
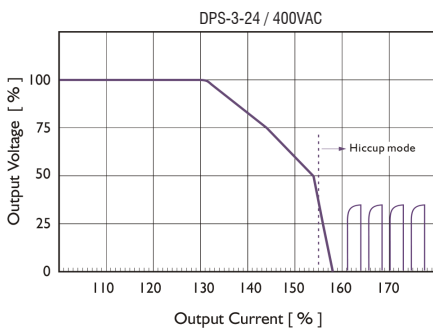


Installation

Ventilation / Cooling
 Normal convection
 All sides 25mm free space
 For cooling recommended

Connector Size Range
 AWG24-10 (0.2 ~ 4mm²) flexible / solid cable,
 - Input connector can withstand torque at maximum 9 pound-inches
 - Output connector can withstand torque at maximum 5.5 pound-inches
 8 m/m stripping cable end recommends
 Use copper conductors only, 60 / 75°C

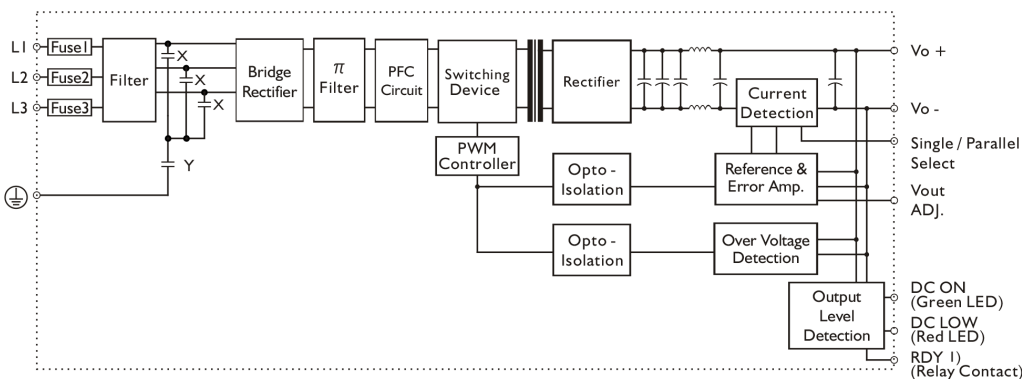
Typ. Current Limited Curve



Construction

Easy snap-on mounting onto the DIN-Rail (TS35/7.5 or TS35/15), unit sits safely and firmly on the rail.

Circuit Schematic



Note: 1) For 24V Model Only