

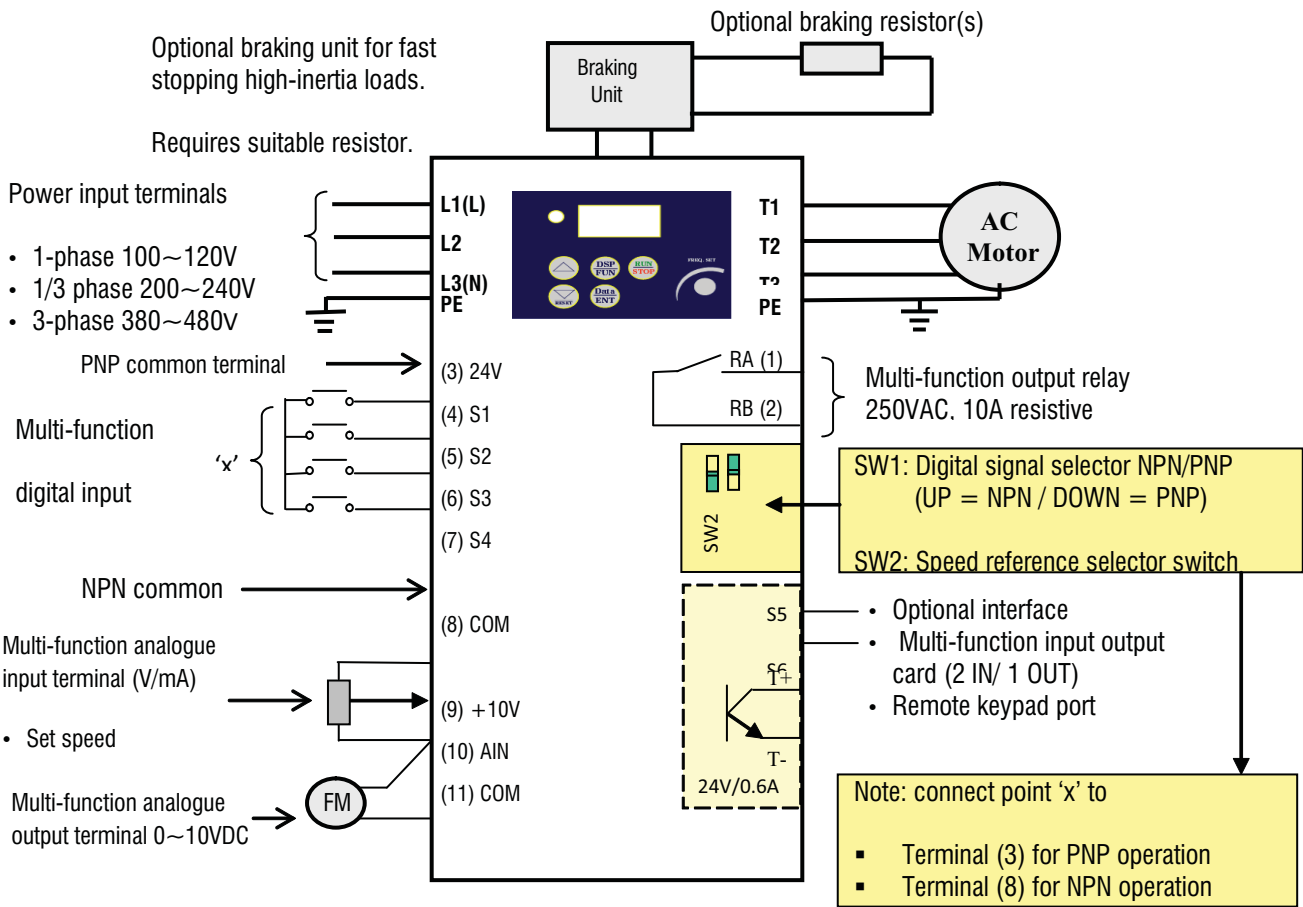


# iDrive AC variable speed

General Purpose AC Variable Speed Drives



## Power & Control Connections



## Specification & Dimensions

### All Models:

- Overload (A) = 150% for 60s
- Maximum operating temperature IP20 = 50°C
- Maximum output frequency = 200Hz
- Carrier frequency = 4~16kHz (Derating applies above 10kHz)
- Safety Class = UL508C

Part Number EDX...	1-ph input 200-240V 50/60Hz					3-ph input 380~480V 50/60Hz		
	020-21	040-21	075-21	150-21	220-21	075-43	150-43	220-43
Motor rating (kW)	0.18/0.25	0.37/0.55	0.75/1.1	1.5	2.2	0.75/1.1	1.5	2.2
Motor rating (H.P)	0.25	0.5	1	2	3	1	2	3
Rated output current (A)	1.7	3.1	4.2	7.5	10.5	2.3	3.8	5.2
Frame size	1	1	1	2	2	2	2	2

Frame size IP20	H(mm)	H(inches)	W(mm)	W(inches)	D(mm)	D(inches)
1	132	5.2	77	3.03	130.5	5.13
2	132	5.2	118	4.65	148	5.83