

# Miniature Intermediate Power Relay QYE

- 10A Switching Capability
- 1.5kV Dielectric Strength (between coil & contacts)
- Plug-In, PCB or Flange Mountable
- Different Sockets Available
- RoHS Compliant
- Conforms to the CE Low Voltage Directive
- Outline Dimensions: 28.0 x 21.3 x 35.2mm



## Options & Ordering Codes

<b>QYE</b>	<b>2</b>	<b>1</b>	<b>XX</b>	<b>F</b>	<b>24DC</b>
<b>Contact Arrangement</b>					
2 Pole CO		<b>2</b>			
<b>Termination</b>					
Plug-In		<b>1</b>			
PCB		<b>2</b>			
<b>Coil Voltage</b>					
				No Flange	
				<b>F</b>	Flange Mounting
			<b>XX</b>	No Indication	
			<b>XN</b>	With LED	



Contact Data	
Contact Arrangement	2P
Contact Resistance	100mΩ (at 1A 6VDC)
Contact Material	AgSnO <sub>2</sub>
Contact Rating	10A 250VAC / 30VDC
Max. Switching Voltage	250VAC / 30VDC
Max. Switching Current	10A
Max. Switching Power	2500VA / 300W
Mechanical Life	1x10 <sup>7</sup> OPS
Electrical Life	1x10 <sup>5</sup> OPS

Characteristics		
<b>Initial Insulation Resistance</b>		500MΩ (at 500VDC)
<b>Dielectric Strength</b>	Between coil & contacts	1500VAC 1min
	Between open contacts	1000VAC 1min
	Between contact sets	1500VAC 1min
<b>Operate Time (at nominal voltage)</b>		25ms max.
<b>Release Time (at nominal voltage)</b>		25ms max.
<b>Shock Resistance</b>	Functional	100m/s <sup>2</sup>
	Destructive	1000m/s <sup>2</sup>
<b>Vibration Resistance</b>		10 to 55Hz 1.5mm DA
<b>Ambient Temperature</b>		-40°C to +55°C
<b>Humidity</b>		98% RH, +40°C
<b>Termination</b>	8 Pin	PCB, Plug-In
<b>Unit Weight</b>		Approx 37g
<b>Construction</b>		Dust Protected

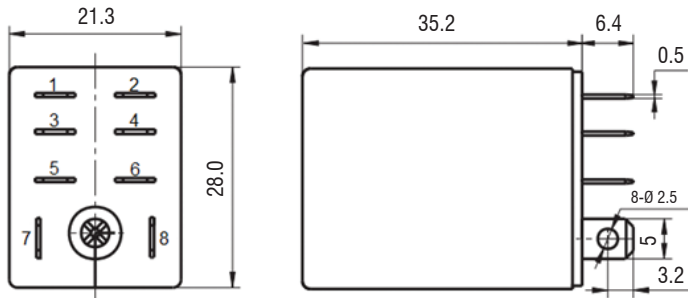
Coil		
<b>Coil Power</b>	DC Type	900mW
	AC Type	1.2VA

Coil Data <span style="float: right;">at 23°C</span>			
Nominal Voltage VDC	Pick-Up Voltage VDC	Drop-Out Voltage VDC	Coil Resistance Ω
6	4.8	0.6	40 (1±10%)
12	9.6	1.2	160 (1±10%)
24	19.2	2.4	650 (1±10%)
48	38.4	4.8	2600 (1±10%)
110	88.0	11.0	11000 (1±10%)

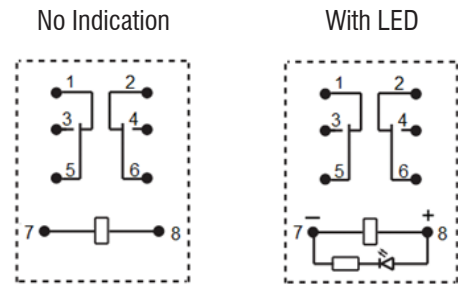
Nominal Voltage VAC	Pick-Up Voltage VAC	Drop-Out Voltage VAC	Coil Resistance Ω
6	4.8	1.8	12 (1±10%)
12	9.6	3.6	46 (1±10%)
24	19.2	7.2	180 (1±10%)
48	38.4	14.4	780 (1±10%)
110	80.0	30.0	3750 (1±10%)
220	160.0	60.0	12950 (1±10%)
230	176.0	72.0	18790 (1±10%)

# Miniature Intermediate Power Relay QYE

## Plug-In Dimensions (mm)

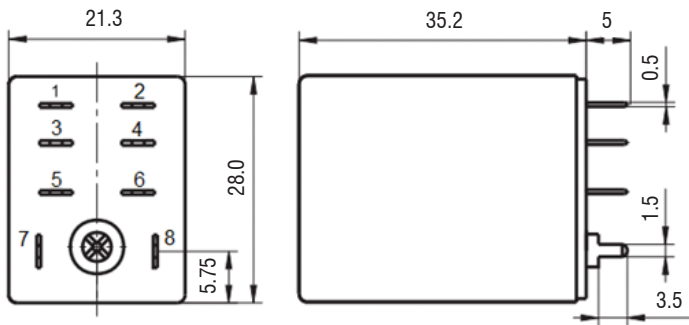


## Wiring Diagram

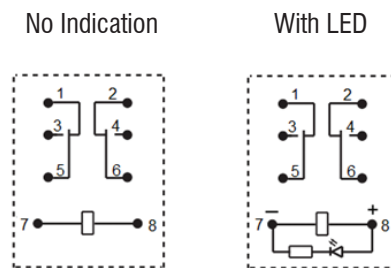


**NOTE:** For AC parts with diode, the positive and negative pole markings on wiring diagram are not applicable.

## PCB Dimensions (mm)

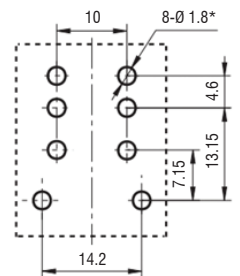


## Wiring Diagram



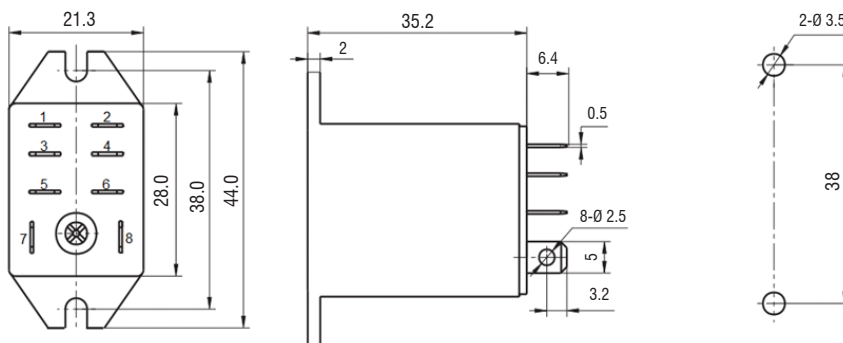
**NOTE:** For AC parts with diode, the positive and negative pole markings on wiring diagram are not applicable.

## PCB Layout



\* Please adjust the site of this diameter according to the actual application

## Flange Mounting



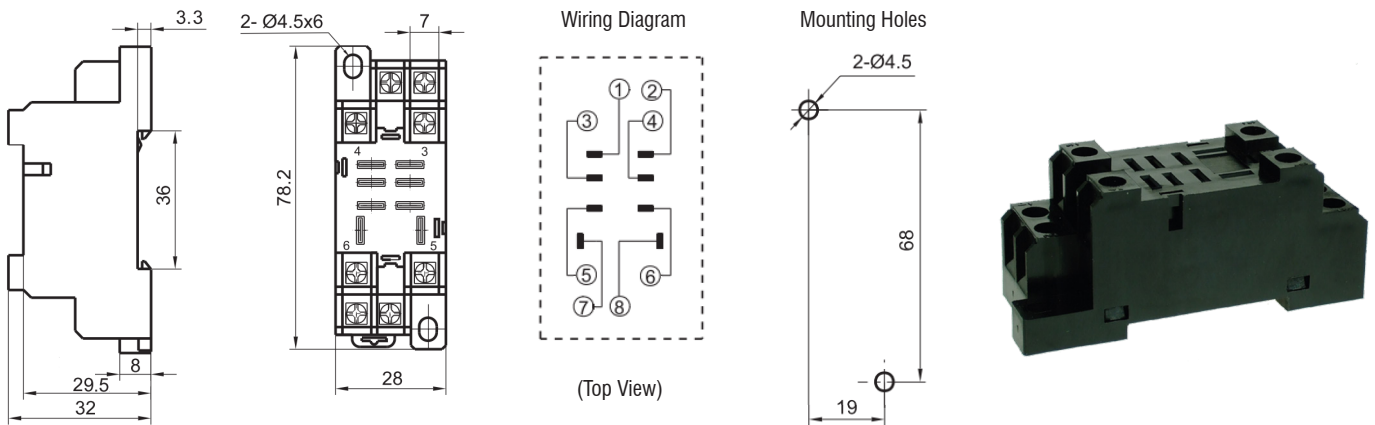
# Miniature Intermediate Power Relay QYE



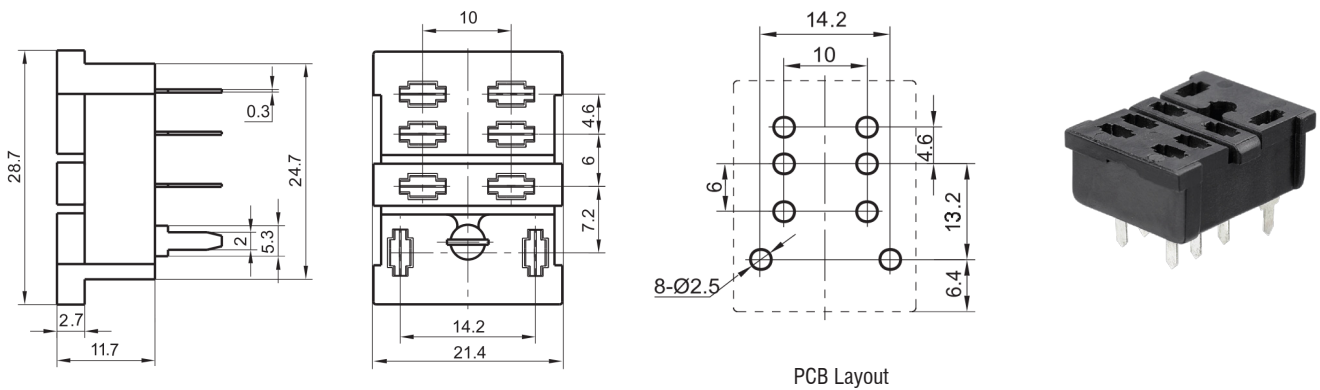
Bases - Dimensions (mm)

Relay	Base	Nominal Voltage (V)	Nominal Current (A)	Ambient Temperature	Dielectric Strength Min.	Screw Torque (Nm)	Wire Strip Length (mm)
QYE	SRHE2-C	300V	10A	-25°C to +85°C	2500VAC	0.5Nm	7mm
QYE	SRPE2-0	300V	10A	-25°C to +85°C	1500VAC	n/a	n/a

**SRHE2-C**



**SRPE2-0**



**SRC-CLIP**

