

# NEMA 4-12 SAFETY DISCONNECT

# 5412 ESA

## Watertight safety disconnect enclosures

The 5412 ESA right flange-mounted safety disconnect enclosures are used indoors or outdoors, where the enclosures may be subject to hosing or water coming from any direction or for protection against dirt, dust or oil. The 5412 ESA are made from quality 14 GA or 16 GA steel, with corner seams continuously welded. The opening has a curled lip around three sides to prevent

dripping water from entering the enclosure when the door is open, it also increases rigidity. The pins of the concealed hinges can be pulled out to remove the door. A ¼ turn locking mechanism interlocks with the switch to prevent opening the door when the power is live. Internal mounting holes are provided. Each enclosure comes complete with a 12 GA inner panel which is double bent

for maximum rigidity and which mounts on M8 welded studs. Enclosures and panels are finished with heat fused polyester powder, electrostatically applied on a pretreated base. Box is ANSI/ASA 61 gray, panel is white (other colors available).

**CSA Certified / UL Listed  
NEMA/EEMAC 4-12 / IP66**

**If the 5412 ESA is to be used with a flange mounted disconnect switch or a circuit breaker, the following items must be ordered:**

### Ordering an Allen-Bradley 1494V Disconnect switch

- an operating mechanism with the disconnect switch 1494V
- an operating handle 1494V-H1
- a connecting rod 1494V-RA1 if the enclosure is 8" deep or 1494V-RA2 if the enclosure is 12" deep
- if required, a trailer fuse block kit 1494V, a fuse clip and line and load connectors.

### Circuit breaker

- a Westinghouse or General Electric circuit breaker.
- an operating mechanism 1494V
- an operating handle 1494V-H11
- a connecting rod 1494V-RA1 if the enclosure is 8" deep or 1494V-RA2 if the enclosure is 12" deep



### Ordering a Cutler Hammer Disconnect switch catalog C361

- an operating mechanism with the disconnect switch
- an operating handle (C361-H2 or H4)

### Circuit breaker operators catalog C371

- a Cutler hammer or Westinghouse circuit breaker
- an operating mechanism
- an operating handle

### Ordering a Square D Class 9422 Disconnect switch

- an operating mechanism with the disconnect switch class 9422
- an operating mechanism handle class 9422 Type A-1

### Circuit breaker

- a Square D circuit breaker
- an operating mechanism class 9422
- an operating mechanism handle class 9422 Type A-1

### Ordering a General Electric Disconnect Switches

- a disconnect switch QMR or QMW
- a fuse clip kit if required
- a TDAI flange handle
- an operating mechanism, variable depth

### Circuit breakers

- a circuit breaker
- a TDAI flange handle
- an operating handle 1494V-H11
- an operating mechanism, variable depth

### Ordering an Asea Brown Boveri Disconnect switches

- a switch flange operated fuse if required
- a DSFHS-12 shaft
- a DSFHN-HS12 handle

### Circuit breaker

- a circuit breaker
- an operating mechanism
- a FHS-12 shaft
- a FHN-HS12 handle

### Ordering an I-T-E Max-Flex™ Disconnect switch

- a basic right hand switch
- a fuse kit if required
- a handle FHOHS flange mounted
- an operator FHOSO6R
- a cable FHOECO36

### Circuit breaker

- a circuit breaker
- a set of pressure wire connectors
- a handle FHOH flange mounted
- an operating mechanism
- a standard cable 36"

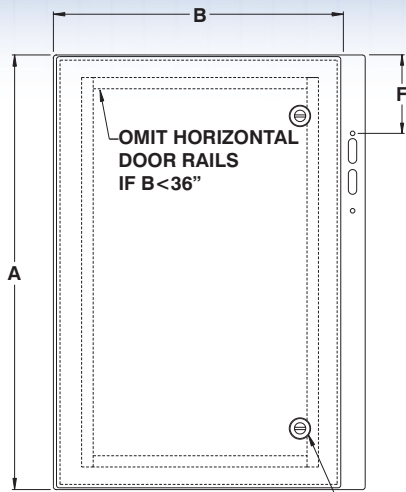
### Ordering a Westinghouse

- a disconnect switch or circuit breaker type DS
- a yoke assembly and backplate
- a rod and brace assembly
- a pivot mechanism
- an operating handle

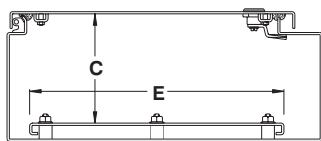
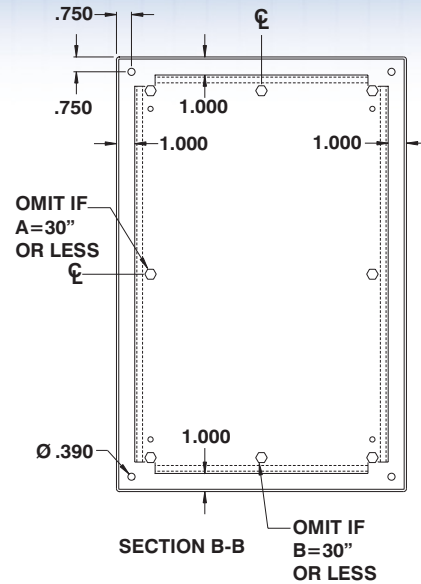
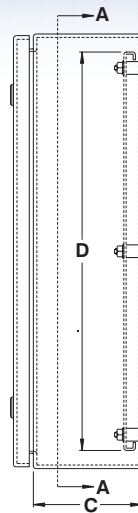
**Disconnect switches and operating mechanisms are not furnished with the enclosures.**

Data subject to  
change without  
notice.





- 1 METAL LOCK IF A=16" OR LESS
- 2 METAL LOCKS IF A>16" AND A<42"
- 3 METAL LOCKS IF A=42" OR MORE



SECTION A-A

† Only panels with sides 20" or more are double bent.

\* This enclosure will accept only the Allen-Bradley DS 200 and the DS 400 disconnect class.

CATALOG NUMBER	DIMENSIONS						SHIP WGHT LBS.
	A	B	C	D	E	F	
5412 ESA202108	20	21.375	8	18	18	8.625	51
5412 ESA242108	24	21.375	8	22	18	8.625	61
5412 ESA242508	24	25.375	8	22	22	8.625	67
5412 ESA302108	30	21.375	8	28	18	8.625	74
5412 ESA302508	30	25.375	8	28	22	8.625	85
5412 ESA362508	36	25.375	8	34	22	8.625	100
5412 ESA363108	36	31.375	8	34	28	8.625	121
5412 ESA423108	42	31.375	8	40	28	8.625	137
5412 ESA423708	42	37.375	8	40	34	8.625	154
5412 ESA483708	48	37.375	8	46	34	8.625	172
5412 ESA603708	60	37.375	8	58	34	8.625	245
5412 ESA202110	20	21.375	10	18	18	8.625	55
5412 ESA242110	24	21.375	10	22	18	8.625	68
5412 ESA242510	24	25.375	10	22	22	8.625	75
5412 ESA302110	30	21.375	10	28	18	8.625	78
5412 ESA302510	30	25.375	10	28	22	8.625	90
5412 ESA362510	36	25.375	10	34	22	8.625	110
5412 ESA363110	36	31.375	10	34	28	8.625	126
5412 ESA423110	42	31.375	10	40	28	8.625	143
5412 ESA423710	42	37.375	10	40	34	8.625	193
5412 ESA483710	48	37.375	10	46	34	8.625	211
5412 ESA603710	60	37.375	10	58	34	8.625	250
5412 ESA302512	30	25.375	12	28	22	11.625	100
5412 ESA363112	36	31.375	12	34	28	11.625	130
5412 ESA423112	42	31.375	12	40	28	11.625	150
5412 ESA423712	42	37.375	12	40	34	11.625	200
5412 ESA483712	48	37.375	12	46	34	11.625	220
5412 ESA603712	60	37.375	12	58	34	11.625	257
5412 ESA363116	36	31.375	16	34	28	11.625	150
5412 ESA483716	48	37.375	16	46	34	11.625	232
5412 ESA603716	60	37.375	16	58	34	11.625	265
* 5412 ESAB603712	60	37.375	12	58	34	18.375	257

Data subject to change without notice.

