

ACCESSORIES



GENUINE EUROBEX ACCESSORIES

Choose your Eurobex accessories

Visit
www.eurobex.com
for details.

Call us
toll free
1-800-363-2423



**Commercial
Lock inserts**
p.339



**Commercial
Key & pad locks**
p.340



**Commercial
Door handles**
p.340



**Commercial
Lock accessories**
p.340



**ESCH style
Locks & inserts**
p.341



**Industrial
Lock inserts**
p.343



**Industrial
Key & pad locks**
p.344



**Industrial
Door handles**
p.344



**Industrial
Lock accessories**
p.345



**Individual cams,
Inserts & housings**
p.345



**Stainless steel
Lock inserts**
p.347



**Stainless steel
Key & pad locks**
p.346



**Stainless steel
Handles**
p.346



**Cabinet
Handles**
p.348



**Electronic
Lock devices**
p.66



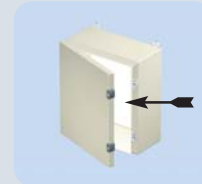
**Gear
Boxes**
p.350



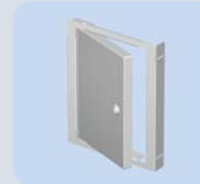
**Mounting
Feet & stands**
p.351



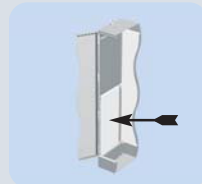
**Cabinet
Door**
p.352



**Cabinet
Panels**
p.354



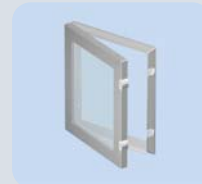
**Swing out
Panels**
p.358



**Side
Panels**
p.359



**Lights and
Accessories**
p.360



**Hinged & fixed
Window kits**
p.364



**Door stop
Kits**
p.365



**External
Drip shields**
p.365

GENUINE EUROBEX ACCESSORIES

Choose your Eurobex accessories



Folding Shelves
p.366



Pole Mounting kits
p.366



Inner panel Depth adjustor
p.366



Print Pockets
p.367



Castor Wheels
p.368



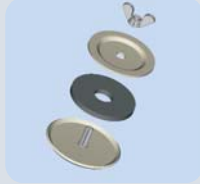
Industrial Eye bolts
p.368



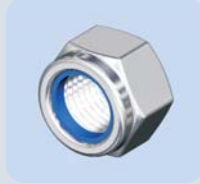
Touch up Paint
p.368



Grounding Accessories
p.369



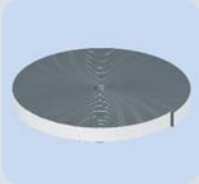
Hole Plugs
p.370



Hardware Kits
p.371



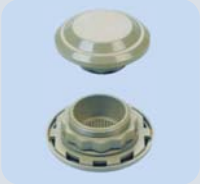
Gas spring Cylinders
p.371



Self-adhesive Gasket tape
p.371



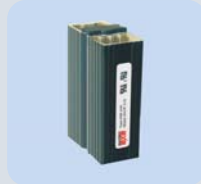
DIN rails and Accessories
p.374



Pressure Compensation
p.375



Thermostats, Hygrostats
p.376



Enclosure Heaters
p.378



Louver plates, Filters
p.382



Filter fans (Indoor use)
p.384



Filter fans (Outdoor use)
p.395



Top mounted Exhaust filters
p.398



Data subject to change without notice.

ESS SERIES DOOR LOCKS AND HANDLES

Stainless steel industrial door locks - 880 SCQ4SS series

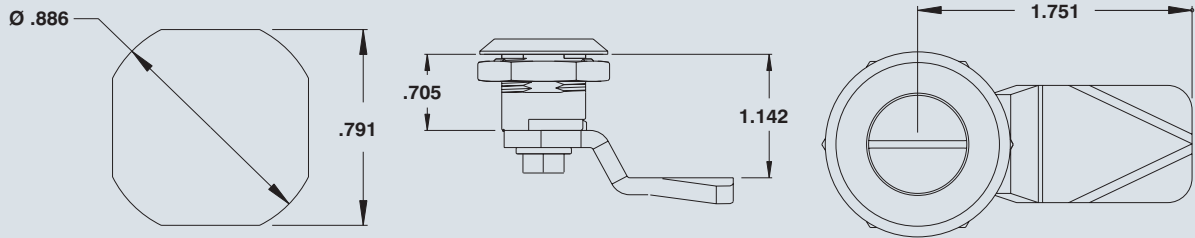
Visit
www.eurobex.com
for details.

Call us
toll free
1-800-363-2423

The **880 SCQ4SS** series door accessories were designed to fit Eurobex 'ESS' style industrial enclosures. A full range of accessories are available to accommodate a variety of applications.

These accessories include :
- 7 types of lock inserts (p.347)
- Padlock provisions (p.346)
- Operating handles (p.346)
- ¼ turn lock dust cap (p.345)...

Locking mechanisms can be ordered as complete units or in parts. Parts include individual inserts, cams and housings. For use with 5412 ESS, 5412 ESSP, 5412 SSDD, 9412 SS, 5412 ESSA



Stainless steel padlock provisions and key locks



Padlock provisions

CATALOG # : 880 PLESQ375
KEY NUMBER : Padlock
Key included? : No
Material : Stainless steel
For use with : ES series, 9412 ESA, 5412 ESDD...



Padlockable wing handle

CATALOG # : 880 SCQ4-WNPSS
KEY NUMBER : Padlock
Key included? : No
Material : Stainless steel
For use with : ESS series, ESSA 9412 SS, SSDD...



Stainless steel padlock

CATALOG # : 880 PLSS
KEY NUMBER : Use padlock
Key included? : No
Material : Stainless steel
For use with : ESS series, ESSA 9412 SS, SSDD...



Padlockable 'L' handle

CATALOG # : 880 SCQ4-KSS
KEY NUMBER : K-KSS
Key included? : Yes
Material : Stainless steel
For use with : ESS series, ESSA 9412 SS, SSDD...

Stainless steel handles



Key lock 'L' handle

CATALOG # : 880 SCQ4-LSS
KEY NUMBER : K-LSS
Key included? : Yes
Material : Stainless steel
For use with : ESS series, ESSA 9412 SS, SSDD...



Key lock 'T' handle

CATALOG # : 880 SCQ4-TSS
KEY NUMBER : K-TSS
Key included? : Yes
Material : Stainless steel
For use with : ESS series, ESSA 9412 SS, SSDD...



Non-locking 'L' handle

CATALOG # : 880 SCQ4-LNSS
KEY NUMBER : None
Key included? : No
Material : Stainless steel
For use with : ESS series, ESSA 9412 SS, SSDD...



Non-locking 'T' handle

CATALOG # : 880 SCQ4-TNSS
KEY NUMBER : None
Key included? : No
Material : Stainless steel
For use with : ESS series, ESSA 9412 SS, SSDD...

ESS SERIES DOOR LOCKS AND HANDLES

Tool operated locking mechanisms, stainless steel



Slot 2 X 4mm lock, 304 SS

CATALOG # : 880 SCQ4-SLSS4
KEY NUMBER : None
Key included? : N/A
Material : Stainless steel 304
For use with : ESS series, ESSA, 9412 SS, ESSDD...



Slot 2 X 4mm lock, 316 SS

CATALOG # : 880 SCQ4-SLSS6
KEY NUMBER : None
Key included? : No
Material : Stainless steel 316
For use with : ESS series, ESSA, 9412 SS, ESSDD...



Square 7mm, 304 SS

CATALOG # : 880 SCQ4-SQ7SS4
KEY NUMBER : K-SQ7
Key included? : No
Material : Stainless steel 304
For use with : ESS series, ESSA, 9412 SS, ESSDD...



Square 7mm, 316 SS

CATALOG # : 880 SCQ4-SQ8SS6
KEY NUMBER : K-SQ7
Key included? : No
Material : Stainless steel 316
For use with : ESS series, ESSA, 9412 SS, ESSDD...



Square 8mm, 304 SS

CATALOG # : 880 SCQ4-SQ8SS4
KEY NUMBER : K-SQ8
Key included? : No
Material : Stainless steel 304
For use with : ESS series, ESSA, 9412 SS, ESSDD...



Square 8mm, 316 SS

CATALOG # : 880 SCQ4-SQ8SS6
KEY NUMBER : K-SQ8
Key included? : No
Material : Stainless steel 316
For use with : ESS series, ESSA, 9412 SS, ESSDD...



Triangular 7mm, 304 SS

CATALOG # : 880 SCQ4-TR7SS4
KEY NUMBER : K-TR7
Key included? : No
Material : Stainless steel 304
For use with : ESS series, ESSA, 9412 SS, ESSDD...



Triangular 7mm, 316 SS

CATALOG # : 880 SCQ4-TR7SS6
KEY NUMBER : K-TR7
Key included? : No
Material : Stainless steel 316
For use with : ESS series, ESSA, 9412 SS, ESSDD...



Triangular 8mm, 304 SS

CATALOG # : 880 SCQ4-TR8SS4
KEY NUMBER : K-TR8
Key included? : No
Material : Stainless steel 304
For use with : ESS series, ESSA, 9412 SS, ESSDD...



Triangular 8mm, 316 SS

CATALOG # : 880 SCQ4-TR8SS6
KEY NUMBER : K-TR8
Key included? : No
Material : Stainless steel 316
For use with : ESS series, ESSA, 9412 SS, ESSDD...



Double bit 3mm, 304 SS

CATALOG # : 880 SCQ4-DB3SS4
KEY NUMBER : K-DB3
Key included? : No
Material : Stainless steel 304
For use with : ESS series, ESSA, 9412 SS, ESSDD...



Double bit 3mm, 316 SS

CATALOG # : 880 SCQ4-DB3SS6
KEY NUMBER : K-DB3
Key included? : No
Material : Stainless steel 316
For use with : ESS series, ESSA, 9412 SS, ESSDD...



Double bit 5mm, 304 SS

CATALOG # : 880 SCQ4-DB5SS4
KEY NUMBER : K-DB5
Key included? : No
Material : Stainless steel 304
For use with : ESS series, ESSA, 9412 SS, ESSDD...



Double bit 5mm, 316 SS

CATALOG # : 880 SCQ4-DB5SS6
KEY NUMBER : K-DB5
Key included? : No
Material : Stainless steel 316
For use with : ESS series, ESSA, 9412 SS, ESSDD...

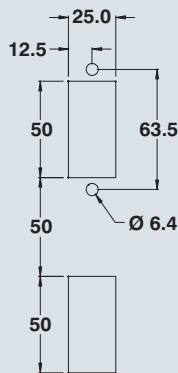
Data subject to change without notice.

CABINET HANDLES

Cabinet handles

Visit
www.
eurobex
.com
for details.

Call us
toll free
1-800-363-
2423



In addition to the standard slot and key lock, these inserts are available for the 885 ESL3 and 885 ESL4



Square 8mm



Square 7mm



Triangular 8mm



Triangular 7mm



Double bit 5mm



Double bit 3mm

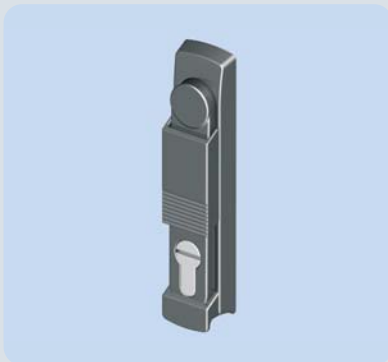
Other inserts available upon request.



The **880 APH** automotive padlockable handle was designed to fit most type 4-12 enclosures. The handle is available with a key insert or spring loaded defeater, requiring a tool in order to operate the mechanism for disconnect requirements. A unique padlock trigger ensures positive closing. The handle can incorporate your company logo. Finish is textured black.

CATALOG NUMBER	DESCRIPTION	SHIP WGHT LBS.
880 APH-K	Key lock	2
880 APH-D	Slotted defeater	2

Note : Trigger is designed to fit 1/4" and 5/16" padlocks.



The **885 ESL3** seal type door handle was designed to fit most type 4-12 enclosures. The handle is available with a key insert, a standard slot screw driver insert or a variety of other inserts. The 885 ESL3 are used when there is a need for a swivel handle with a seal provision. A protective dust cap is provided. Locks are rated NEMA Type 4. Finish is textured black.

CATALOG NUMBER	DESCRIPTION	SHIP WGHT LBS.
885 ESL3K	Key lock	1
885 ESL3S	Screw driver slot	1
885 ESL3SQ7	Square 7mm	1
885 ESL3SQ8	Square 8mm	1
885 ESL3TR7	Triangular 7mm	1
885 ESL3TR8	Triangular 8mm	1
885 ESL3DB3	Double bit 3mm	1
885 ESL3DB5	Double bit 5mm	1
885 ESL3B	Blank	1



The **885 ESL4** seal type handle was designed to fit most type 4-12 enclosures. The handle is available with a key insert, a standard slot screw driver insert or a variety of other inserts. The 885 ESL4 are used when there is a need for a swivel handle with a padlock provision. This handle accommodates a 1/4" padlock. Locks are rated NEMA Type 4. Finish is textured black.

CATALOG NUMBER	DESCRIPTION	SHIP WGHT LBS.
885 ESL4K	Key lock	1
885 ESL4S	Screw driver slot	1
885 ESL4SQ7	Square 7mm	1
885 ESL4SQ8	Square 8mm	1
885 ESL4TR7	Triangular 7mm	1
885 ESL4TR8	Triangular 8mm	1
885 ESL4DB3	Double bit 3mm	1
885 ESL4DB5	Double bit 5mm	1
885 ESL4B	Blank	1

Data subject to change without notice.

CABINET HANDLES, PULL DOWN HASPS



The **880 PH** padlockable handles are used for outdoor application. This sturdy handle is made of chrome plated steel or of stainless steel. Comes complete with installation hardware and gasket.

CATALOG NUMBER	DESCRIPTION	SHIP WGHT LBS.
880 PH	Chrome plated steel	1
880 PHSS	Stainless steel	1



The **886 ELKPX** electronic keypad system grants access to an enclosure upon entry of the correct code on the keypad. The handle can be used standalone, in electronic master-slave systems and remote access control systems.

Please see page 66 for details.

For detailed information on the E.line electromechanical lock system, please see page 66.



The **886 ELIT** transponder handle is opened using transponder devices. The handle can be used standalone, in electronic master-slave systems and remote access control systems.

Please see page 66 for details.

For detailed information on the E.line electromechanical lock system, please see page 66.

Pull down hasps



Pull down padlock hasp

CATALOG # : 883 CM1
 KEY NUMBER : Use padlock
 Key included? : No
 Material : Plated steel
 For use with : 1300 H,
 1500 Lay-in ducts



SS Pull down padlock hasp

CATALOG # : 883 CM1SS
 KEY NUMBER : Use padlock
 Key included? : No
 Material : Stainless steel
 For use with : 5412 ESFRQ,
 1300 H, 1500 SS



SS Pull down padlock hasp

CATALOG # : 883 CM2
 KEY NUMBER : Use padlock
 Key included? : No
 Material : Stainless steel
 For use with : 5300 ES

Data subject to change without notice.

GEAR BOX AND LATCH RODS

Gear boxes - Series 885 GBOX

Visit www.eurobex.com for details.

Call us toll free 1-800-363-2423

The **885 GBOX** gear boxes are used with Eurobex door locks as three point latch locking mechanisms. Three versions of 885 GBOX exist, each corresponding to a particular Eurobex door lock.



CATALOG NUMBER	FOR USE WITH	SHIP WGHT LBS.
885 GBOX1	880 PH series	1



CATALOG NUMBER	FOR USE WITH	SHIP WGHT LBS.
885 GBOX2	885 ESL2A, 880 APH	1



CATALOG NUMBER	FOR USE WITH	SHIP WGHT LBS.
885 GBOX3	885 ESL3, 885 ESL4	1

Latching rods for 5500 and 9500 series

The **CBAR series** is used as part of a three point latching mechanism in the 5412, 5500 and 9500 series enclosures. The CBAR's can be used as replacement parts or to build a custom latching mechanism.

881 CBAR latching rods fit 5500 ESDD series cabinets and large 5412 ES cabinets (height ≥ 42 ").

885 CBAR latching rods fit 5500 DDS series cabinets.

889 CBAR latching rods fit 9500 series cabinets.



CATALOG NUMBER	FOR USE WITH	SHIP WGHT LBS.
881 CBAR24	24" height	1
881 CBAR30	30" height	1
881 CBAR36	36" height	2
881 CBAR42	42" height	3
881 CBAR48	48" height	3
881 CBAR54	54" height	3
881 CBAR60	60" height	3
881 CBAR72	72" height	3



CATALOG NUMBER	FOR USE WITH	SHIP WGHT LBS.
885 CBAR60	5500 DDS CABINETS 60" height	3
885 CBAR72	72" height	3

CATALOG NUMBER	FOR USE WITH	SHIP WGHT LBS.
889 CBAR60	9500 CABINETS 60" height	3
889 CBAR72	72" height	3
889 CBAR84	84" height	3
889 CBAR90	90" height	3

Data subject to change without notice.

MOUNTING FEET, FLOOR STANDS

Mounting feet for small and medium-sized enclosures



JIC Wall mounting feet

CATALOG # : 885 ESCHMF
 Four mounting feet & hardware incl.
 Mounted vertically or horizontally.
 Material : Zinc cast
 For use with : ESCH series,
 1100, ESSC...



'ESFR' Wall mounting feet

CATALOG # : 885 ESFRMF
 Four mounting feet & hardware incl.
 Mounted vertically or horizontally.
 Material : Plastic
 For use with : ESFRS, ESFRH,
 ESFRQ



'ES' Wall mounting feet

CATALOG # : 885 ESMF1
 Four mounting feet & hardware incl.
 Mounted vertically or horizontally.
 Material : Plated steel
 For use with : ES series, ESDD,
 5300 MC, ESA, ESY



SS Wall mounting feet

CATALOG # : 885 ESMF2
 Four mounting feet & hardware incl.
 Mounted vertically or horizontally.
 Material : Stainless steel
 For use with : ESS series, ESSDD
 ESSA, ESSY...



Offset mounting feet 0.5"

CATALOG # : 885 ESOMF1
 Four mounting feet & hardware incl.
 Mounted vertically or horizontally.
 Material : Plated steel
 For use with : ES series, ESDD,
 5300 MC, ESA, ESY



SS offset mounting feet 0.5"

CATALOG # : 885 ESOMF2
 Four mounting feet & hardware incl.
 Mounted vertically or horizontally.
 Material : Stainless steel
 For use with : ESS series, ESSDD
 ESSA, ESSY...



Offset mounting feet 1.5"

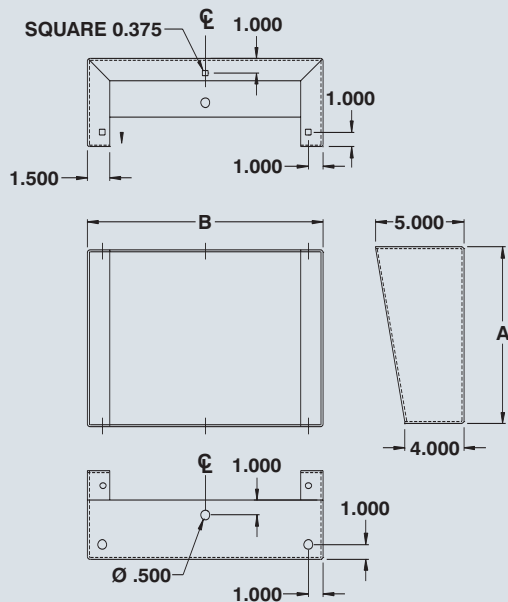
CATALOG # : 885 ESOMF1A
 Four mounting feet & hardware incl.
 Mounted vertically or horizontally.
 Material : Plated steel
 For use with : ES series, ESDD,
 5300 MC, ESA, ESY



SS offset mounting feet 1.5"

CATALOG # : 885 ESOMF2A
 Four mounting feet & hardware incl.
 Mounted vertically or horizontally.
 Material : Stainless steel
 For use with : ESS series, ESSDD
 ESSA, ESSY...

5412 & 5500 series floor mounting stands



The 885 MF - Floor mounting feet are made from 14 GA steel, pre-drilled for fixation to the floor and to the bottom of the 5412 and 5500 series enclosures. Kits come complete with all necessary hardware. Mounting feet are finished with heat fused polyester powder, electrostatically applied on a phosphatized base. Finish is ANSI/ASA 61 gray.

CATALOG NUMBER	DIMENSIONS		SHIP WGT LBS.	CATALOG NUMBER	DIMENSIONS		SHIP WGT LBS.
	A	B			A	B	
885 MF0606	6	6	14	885 MF1516	15	16	37
885 MF0608	6	8	16	885 MF1520	15	20	44
885 MF0610	6	10	17	885 MF1524	15	24	45
885 MF0612	6	12	18	885 MF1806	18	6	28
885 MF0616	6	16	21	885 MF1808	18	8	32
885 MF0620	6	20	25	885 MF1810	18	10	36
885 MF0624	6	24	28	885 MF1812	18	12	41
885 MF1206	12	6	21	885 MF1816	18	16	47
885 MF1208	12	8	23	885 MF1820	18	20	49
885 MF1210	12	10	26	885 MF1824	18	24	51
885 MF1212	12	12	32	885 MF2406	24	6	38
885 MF1216	12	16	35	885 MF2408	24	8	40
885 MF1220	12	20	40	885 MF2410	24	10	45
885 MF1224	12	24	42	885 MF2412	24	12	50
885 MF1506	15	6	23	885 MF2416	24	16	58
885 MF1508	15	8	25	885 MF2420	24	20	65
885 MF1510	15	10	28	885 MF2424	24	24	70
885 MF1512	15	12	34	* Add suffix 'SS' for stainless.			

Data subject to change without notice.