



Converts the PWM output signal into a sinusoidal wave with residual <5%

DV/DT reduction

Motor loss reduction

Increases motor life

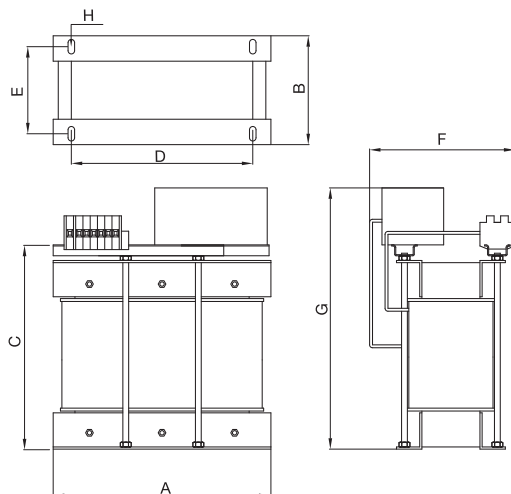
Compact style

ELECTRIC CHARACTERISTICS

Nominal voltage	480 VAC
Nominal current at ambient temperature of 40°C	See table
Frequency	< 70 Hz

FIN905SF	Nominal Current	L (mH)	CX (μF)	Min Switch	Power Loss	A	B	C	D	E	F	G	H
.075.M	75	0.75	30 (Y)	3	340	300	170	310	260	110	205	410	Ø 10
.115.M	115	0.5	20 (Δ)	3	575	300	190	310	260	130	225	-	Ø 10
.180.M	180	0.3	33 (Δ)	3	695	480	320	420	360	170	355	-	Ø 12
.260.M	260	0.2	47 (Δ)	3	895	520	320	340	380	200	355	-	Ø 14
.410.B	410	0.13	66 (Δ)	3	1170	520	320	340	380	200	355	-	Ø 14

CASE



ELECTRIC DIAGRAM

