

DPS Series 5W ~ 18W AC-DC DIN Rail Power Supplies

- 5, 12 & 24VDC
- Class 2
- UL, cUL, UR, cUR, CE
- Universal input 90~264VAC
- High efficiency
- Short circuit protection
- Internal input filter
- 3 Year warranty
- IP20



Specification - 5W Output

Model	DPS-1-005-5DC	DPS-1-005-12DC	DPS-1-005-24DC
Input Voltage		90 ~ 264VAC	
Output Wattage		5W	
Output Voltage	5VDC	12VDC	24VDC
Output Current	1A	0.42A	0.21A
Efficiency (min/typ)	67/69%	70/72%	70/72%
General Specification			
Approval		cURus - Class 2	
Isolation Voltage		3000VAC/4242VDC	
Isolation Resistance		100MΩ @ 500VDC	
Ambient Temperature		-20 to +71°C	
Derating		(61 to 71°C) 2.5%/°C	
Storage Temperature		-25 to +85°C	
Relative Humidity		20 to 95% RH	
Cooling		Free air convection	
Dimensions		L90 x W22.5 x D114 mm	
Weight		120g	
Case Material		Plastic	
Input Specifications			
Rated Input Voltage		100 ~ 240VAC	
Input Voltage Range		90 to 264VAC, 120 to 375VDC	
Line Frequency		47 ~ 63Hz	
Inrush Current (115 / 230VAC)		15 / 30A	
Output Specifications			
Output Voltage Accuracy		+1%	
Minimum Load		0%	
Line Regulation		±1%	
Load Regulation		±2%	
Turn On Time		1000ms after AC applied to input at full resistive load	
Voltage Fall Time		150ms	
Voltage Rise Time		150ms	
Hold Up Time (115 / 230VAC)		30 / 130ms	
Temperature Coefficient		±0.03%/°C	
Ripple & Noise		50mV	
Voltage Trim Range	4.5 ~ 5.75VDC	10.8 ~ 13.8VDC	21.6 ~ 28.8VDC
DC ON & LOW Indicator (Green & Red LED)	3.5 ~ 4.5VDC	9 ~ 10.8VDC	18 ~ 21.6VDC
Control & Protection			
Rated Overload Protection		110 ~ 165%	
Over Voltage Protection	6.5 ~ 7.27VDC	15 ~ 17.4VDC	18.75 ~ 21.75VDC
Output Short Circuit		Hiccup Mode	

DPS Series 5W ~ 18W AC-DC DIN Rail Power Supplies

- 5, 12 & 24VDC
- Class 2
- UL, cUL, UR, cUR, CE
- Universal input 90~264VAC
- High efficiency
- Short circuit protection
- Internal input filter
- 3 Year warranty
- IP20



Specification - 10W Output

Model	DPS-1-010-5DC	DPS-1-010-12DC	DPS-1-010-24DC
Input Voltage	90 ~ 264VAC		
Output Wattage	10W		
Output Voltage	5VDC	12VDC	24VDC
Output Current	2A	0.84A	0.42A
Efficiency (min/typ)	71/73%	73/75%	74/76%
General Specification			
Approval	cURus - Class 2		
Isolation Voltage	3000VAC/4242VDC		
Isolation Resistance	100MΩ @ 500VDC		
Ambient Temperature	-20 to +71°C		
Derating	(61 to 71°C) 2.5%/°C		
Storage Temperature	-25 to +85°C		
Relative Humidity	20 to 95% RH		
Cooling	Free air convection		
Dimensions	L90 x W22.5 x D114 mm		
Weight	120g		
Case Material	Plastic		
Input Specifications			
Rated Input Voltage	100 ~ 240VAC		
Input Voltage Range	90 to 264VAC, 120 to 375VDC		
Line Frequency	47 ~ 63Hz		
Inrush Current (115 / 230VAC)	15 / 30A		
Output Specifications			
Output Voltage Accuracy	+1%		
Minimum Load	0%		
Line Regulation	±1%		
Load Regulation	±2%		
Turn On Time	1000ms after AC applied to input at full resistive load		
Voltage Fall Time	150ms		
Voltage Rise Time	150ms		
Hold Up Time (115 / 230VAC)	30 / 130ms		
Temperature Coefficient	±0.03%/°C		
Ripple & Noise	50mV		
Voltage Trim Range	4.5 ~ 5.75VDC	10.8 ~ 13.8VDC	21.6 ~ 28.8VDC
DC ON (Green) & LOW (Red) Indicator	3.5 ~ 4.5VDC	9 ~ 10.8VDC	18 ~ 21.6VDC
Control & Protection			
Rated Overload Protection	110 ~ 165%		
Over Voltage Protection	6.5 ~ 7.27VDC	15 ~ 17.4VDC	18.75 ~ 21.75VDC
Output Short Circuit	Hiccup Mode		

DPS Series 5W ~ 18W AC-DC DIN Rail Power Supplies

- 5, 12 & 24VDC
- Class 2
- UL, cUL, UR, cUR, CE
- Universal input 90~264VAC
- High efficiency
- Short circuit protection
- Internal input filter
- 3 Year warranty
- IP20



Specification - 15/18W Output

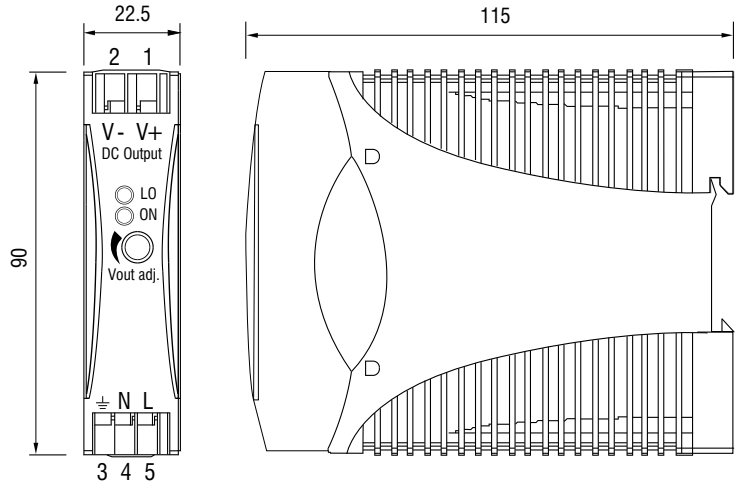
Model	DPS-1-015-5DC*	DPS-1-018-12DC	DPS-1-018-24DC
Input Voltage		90 ~ 264VAC	
Output Wattage	15W	18W	
Output Voltage	5VDC	12VDC	24VDC
Output Current	3A	1.5A	0.75A
Efficiency (min/typ)	73/75%	75/77%	75/7%
General Specification			
Approval	cURus - Class 2		
Isolation Voltage	3000VAC/4242VDC		
Isolation Resistance	100MΩ @ 500VDC		
Ambient Temperature	-20 to +71°C		
Derating	(61 to 71°C) 2.5%/°C		
Storage Temperature	-25 to +85°C		
Relative Humidity	20 to 95% RH		
Cooling	Free air convection		
Dimensions	L90 x W22.5 x D114 mm		
Weight	150g		
Case Material	Plastic		
Input Specifications			
Rated Input Voltage	100 ~ 240VAC		
Input Voltage Range	90 to 264VAC, 120 to 375VDC		
Line Frequency	47 ~ 63Hz		
Inrush Current (115 / 230VAC)	15 / 30A		
Output Specifications			
Output Voltage Accuracy	+1%		
Minimum Load	0%		
Line Regulation	±1%		
Load Regulation	±2%		
Turn On Time	1000ms after AC applied to input at full resistive load		
Voltage Fall Time	150ms		
Voltage Rise Time	150ms		
Hold Up Time (115 / 230VAC)	30 / 130ms		
Temperature Coefficient	±0.03%/°C		
Ripple & Noise	50mV		
Voltage Trim Range	4.5 ~ 5.75VDC	10.8 ~ 13.8VDC	21.6 ~ 28.8VDC
DC ON (Green) & LOW (Red) Indicator	3.5 ~ 4.5VDC	9 ~ 10.8VDC	18 ~ 21.6VDC
Control & Protection			
Rated Overload Protection	110 ~ 165%		
Over Voltage Protection	6.5 ~ 7.27VDC	15 ~ 17.4VDC	18.75 ~ 21.75VDC
Output Short Circuit	Hiccup Mode		

* Not Class 2 listed

DPS Series 5W, 10W & 18W AC/DC DIN Rail Power Supplies

Dimensions (mm)

Key	Description
V+ (1)	Positive output terminal
V- (2)	Negative output terminal
⊥ (3)	Ground this terminal to minimize high-frequency emissions
N (4)	Input terminals (neutral conductor, no polarity at DC input)
L (5)	Input terminals (phase conductor, no polarity at DC input)
ON	Operation indicator LED
LO	DC LOW indicator LED
Vout adj.	Trimmer-potentiometer for Vout adjustment



Construction

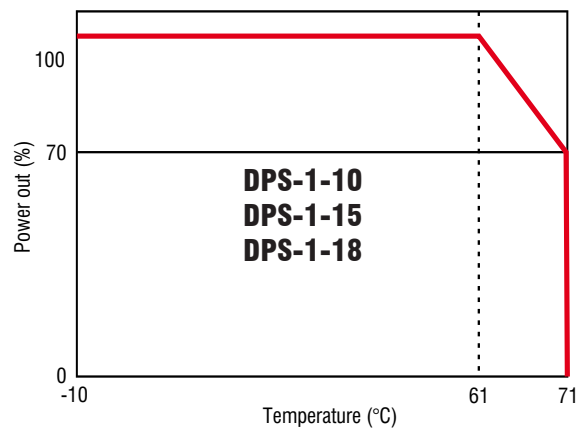
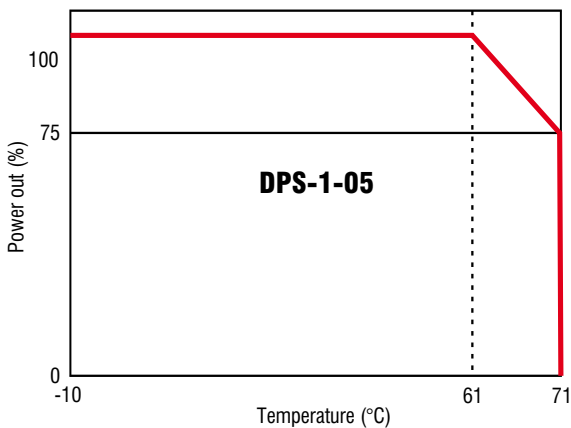
Easy, safe and secure snap-on, snap-off DIN-Rail mounting (TS35/7.5 or TS35/15)

Installation

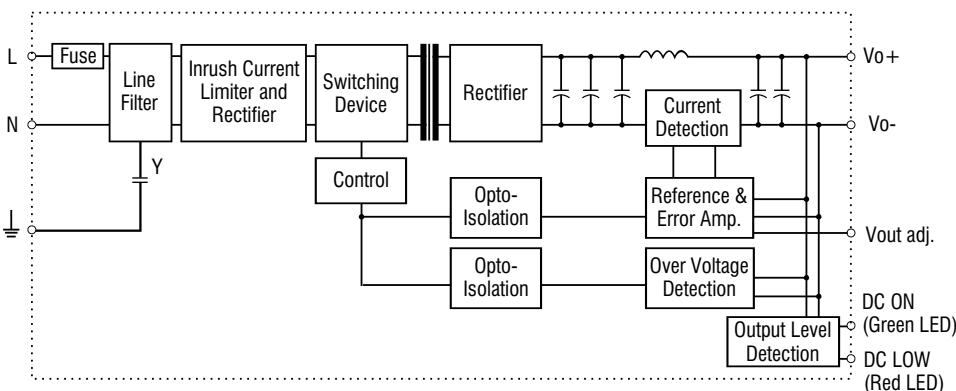
Ventilation/Cooling
Normal convection
All sides 25mm free space for cooling recommended

Terminal size range
2 Solid: 0.2-2.0mm (AWG24-14)
(use copper conductors only)

Derating



Connections



DPS Series 30W ~ 60W AC-DC DIN Rail Power Supplies



- 5, 12, 24 & 48VDC
- Class 2
- UL, cUL, UR, cUR, CE
- Universal input 90~264VAC
- High efficiency
- Short circuit protection
- Internal input filter
- 3 Year warranty
- IP20



Specification - 30W Output

Model	DPS-1-030-5DC*	DPS-1-030-12DC	DPS-1-030-24DC	DPS-1-030-48DC
Input Voltage	85 ~ 264VAC			
Output Wattage	30W			
Output Voltage	5VDC	12VDC	24VDC	48VDC
Output Current	6A	2.5A	1.25A	0.625A
Efficiency (min/typ)	77/79%	82/84%	83/86%	83/86%
General Specification				
Approval	cURus - Class 2			
Isolation Voltage	3000VAC/4242VDC			
Isolation Resistance	100MΩ @ 500VDC			
Ambient Temperature	-41 to +71°C			
Derating	(61 to 71°C) 2.5%/°C			
Storage Temperature	-40 to +85°C			
Relative Humidity	20 to 95% RH			
Cooling	Free air convection			
Dimensions	L90 x W40.5 x D114 mm			
Weight	270g			
Case Material	Plastic			
Input Specifications				
Rated Input Voltage	120 ~ 240VAC			
Input Voltage Range	85 to 264VAC, 90 to 375VDC			
Line Frequency	47 ~ 63Hz			
Inrush Current (115 / 230VAC)	20 / 40A			
Output Specifications				
Output Voltage Accuracy	+1%			
Minimum Load	0%			
Line Regulation	±0.5%			
Load Regulation	±0.5%			
Turn On Time	1000ms after AC applied to input at full resistive load			
Voltage Fall Time	150ms			
Voltage Rise Time	150ms			
Hold Up Time (115 / 230VAC)	25 / 30ms			
Temperature Coefficient	±0.03%/°C			
Ripple & Noise	50mV			
Voltage Trim Range	5 ~ 5.5VDC	12 ~ 14VDC	24 ~ 28VDC	48 ~ 55VDC
DC ON & LOW Indicator (Green & Red LED)	3.5 ~ 4.5VDC	9 ~ 10.8VDC	18 ~ 21.6VDC	37 ~ 43VDC
Control & Protection				
Rated Overload Protection	110 ~ 150%			
Over Voltage Protection	6 ~ 6.8VDC	15 ~ 16.5VDC	30 ~ 33VDC	60 ~ 66VDC
Output Short Circuit	Fold Forward			

* Not Class 2 listed

DPS Series 30W ~ 60W AC-DC DIN Rail Power Supplies

- 5, 12, 24 & 48VDC
- Class 2
- UL, cUL, UR, cUR, CE
- Universal input 90~264VAC
- High efficiency
- Short circuit protection
- Internal input filter
- 3 Year warranty
- IP20



Specification - 50/60W Output

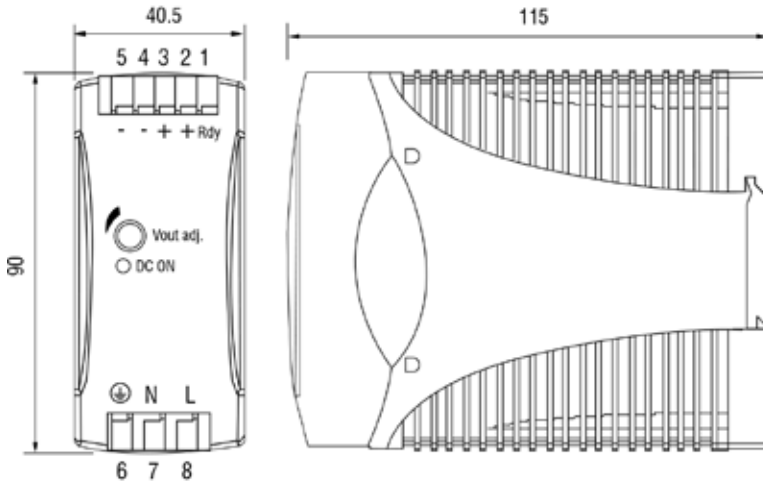
Model	DPS-1-050-5DC*	DPS-1-060-12DC*	DPS-1-060-24DC	DPS-1-060-48DC
Input Voltage	85 ~ 264VAC			
Output Wattage	50W	60W		
Output Voltage	5VDC	12VDC	24VDC	48VDC
Output Current	10A	5A	2.5A	1.25A
Efficiency (min/typ)	77/79%	84/86%	86/89%	86/89%
General Specification				
Approval	cURus - Class 2			
Isolation Voltage	3000VAC/4242VDC			
Isolation Resistance	100MΩ @ 500VDC			
Ambient Temperature	-41 to +71°C			
Derating	(61 to 71°C) 2.5%/°C			
Storage Temperature	-40 to +85°C			
Relative Humidity	20 to 95% RH			
Cooling	Free air convection			
Dimensions	L90 x W40.5 x D114 mm			
Weight	340g			
Case Material	Plastic			
Input Specifications				
Rated Input Voltage	120 ~ 240VAC			
Input Voltage Range	85 to 264VAC, 90 to 375VDC			
Line Frequency	47 ~ 63Hz			
Inrush Current (115 / 230VAC)	20 / 40A			
Output Specifications				
Output Voltage Accuracy	+1%			
Minimum Load	0%			
Line Regulation	±0.5%			
Load Regulation	±0.5%			
Turn On Time	1000ms after AC applied to input at full resistive load			
Voltage Fall Time	150ms			
Voltage Rise Time	150ms			
Hold Up Time (115 / 230VAC)	25 / 30ms			
Temperature Coefficient	±0.03%/°C			
Ripple & Noise	50mV			
Voltage Trim Range	5 ~ 5.5VDC	12 ~ 14VDC	24 ~ 28VDC	48 ~ 55VDC
DC ON & LOW Indicator (Green & Red LED)	3.5 ~ 4.5VDC	9 ~ 10.8VDC	18 ~ 21.6VDC	37 ~ 43VDC
Control & Protection				
Rated Overload Protection	110 ~ 150%			
Over Voltage Protection	6 ~ 6.8VDC	15 ~ 16.5VDC	30 ~ 33VDC	60 ~ 66VDC
Output Short Circuit	Fold Forward			

* Not Class 2 listed

DPS Series 30W ~ 60W AC/DC DIN Rail Power Supplies

5, 12, 24 & 48 VDC Output Options

Dimensions (mm)



Pin connections

Key	Description
Rdy (1)	DC OK output for relay (24V models only)
+	(2) Positive output terminal
+	(3) Positive output terminal
-	(4) Negative output terminal
-	(5) Negative output terminal
⊕	(6) Ground terminal to minimize high-frequency emissions
N	(7) Input terminals (neutral conductor, no polarity at DC input)
L	(8) Input terminals (phase conductor, no polarity at DC input)
DC ON	Operation indicator LED
Vout adj.	Trimmer-potentiometer for Vout adjustment

Installation

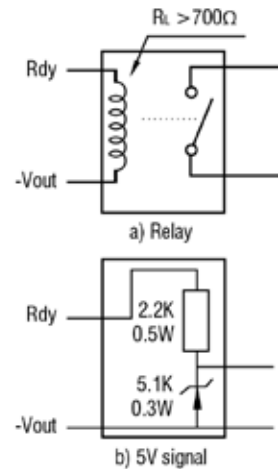
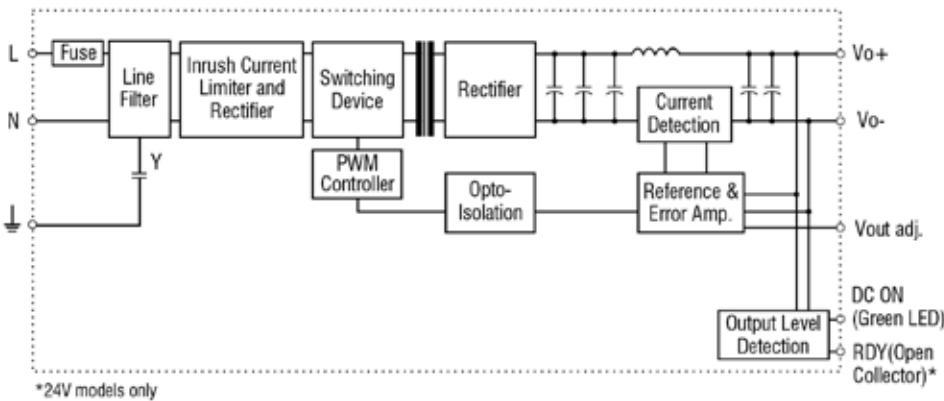
Ventilation/Cooling
Normal convection
All sides 25mm free space
for cooling recommended

Terminal size range
2 Solid: 0.2-2.0mm (AWG24-14)
(use copper conductors only)

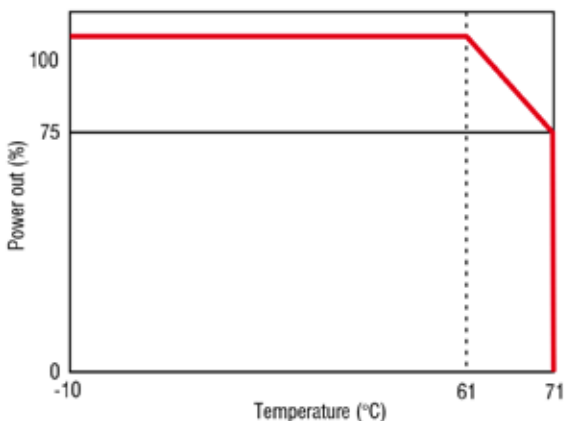
Construction

Easy, safe and secure
snap-on, snap-off
DIN-Rail mounting
(TS35/7.5 or TS35/15)

Connections



Derating



Rdy connections

DPS Series 100W

AC-DC DIN Rail Power Supplies

- 12, 24 & 48VDC
- UL, cUL, UR, cUR, CE, TUV
- Universal input 90~264VAC
- High efficiency
- Short circuit protection
- Internal input filter
- 3 Year warranty
- IP20

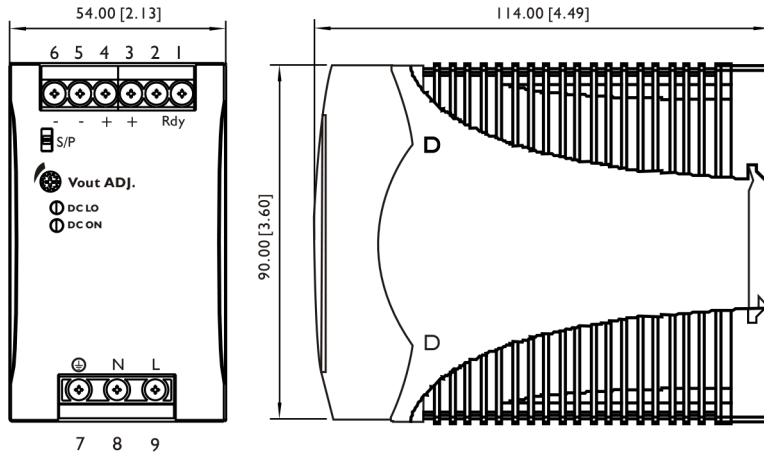


Specification - 100W Output

Model	DPS-1-100-12DC	DPS-1-100-24DC	DPS-1-100-48DC
Input Voltage	115 ~ 230VAC		
Output Wattage	100W		
Output Voltage	12VDC	24VDC	48VDC
Output Current	8.4A	4.2A	2.1A
Efficiency (min/typ)	82/84%	84/86%	86/88%
General Specification			
Approval	cURus		
Isolation Voltage	3000VAC/4242VDC		
Isolation Resistance	100MΩ @ 500VDC		
Ambient Temperature	-35 to +71°C		
Derating	(61 to 71°C) 2.5%/°C		
Storage Temperature	-40 to +85°C		
Relative Humidity	20 to 95% RH		
Cooling	Free air convection		
Dimensions	L90 x W54 x D114 mm		
Weight	430g		
Case Material	Plastic		
Input Specifications			
Rated Input Voltage	115 ~ 230VAC (auto select)		
Input Voltage Range	90 to 264VAC, 210 to 375VDC		
Line Frequency	47 ~ 63Hz		
Inrush Current (115 / 230VAC)	30 / 60A		
Output Specifications			
Output Voltage Accuracy	+1%		
Minimum Load	0%		
Line Regulation	±1%		
Load Regulation	±1%		
Turn On Time	1000ms after AC applied to input at full resistive load		
Voltage Fall Time	150ms		
Voltage Rise Time	150ms		
Hold Up Time (115 / 230VAC)	15 / 30ms		
Temperature Coefficient	±0.03%/°C		
Ripple & Noise	50mV		
Voltage Trim Range	11.4 ~ 14.5VDC	22.5 ~ 28.5VDC	47 ~ 55VDC
DC ON & LOW Indicator (Green & Red LED)	10 ~ 11.2VDC	17.6 ~ 19.4VDC	37 ~ 43VDC
Control & Protection			
Rated Overload Protection	110 ~ 140%		
Over Voltage Protection	15 ~ 16.5VDC	30 ~ 33VDC	60 ~ 66VDC
Output Short Circuit	Fold Forward		

DPS Series 100W AC/DC DIN Rail Power Supplies

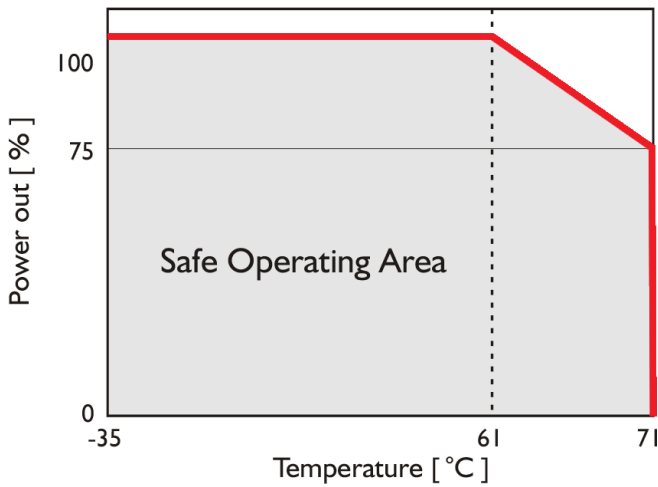
Dimensions (mm)



Pin connections

Key	Description
Rdy(1,2)	DC ON output for relay (24V models only)
+ (3)	Positive output terminal
+ (4)	Positive output terminal
- (5)	Negative output terminal
- (6)	Negative output terminal
(7)	Ground terminal to minimize high-frequency emissions
L (8)	Input terminals (phase conductor, no polarity at DC input)
N (9)	Input terminals (neutral conductor, no polarity at DC input)
DC ON	Operation indicator LED
DC LO	DC low voltage indicator LED
Vout adj.	Trimmer-potentiometer for Vout adjustment
S/P	Single/Parallel select switch

Derating



Installation

Ventilation/Cooling

Normal convection
All sides 25mm free space
for cooling recommended

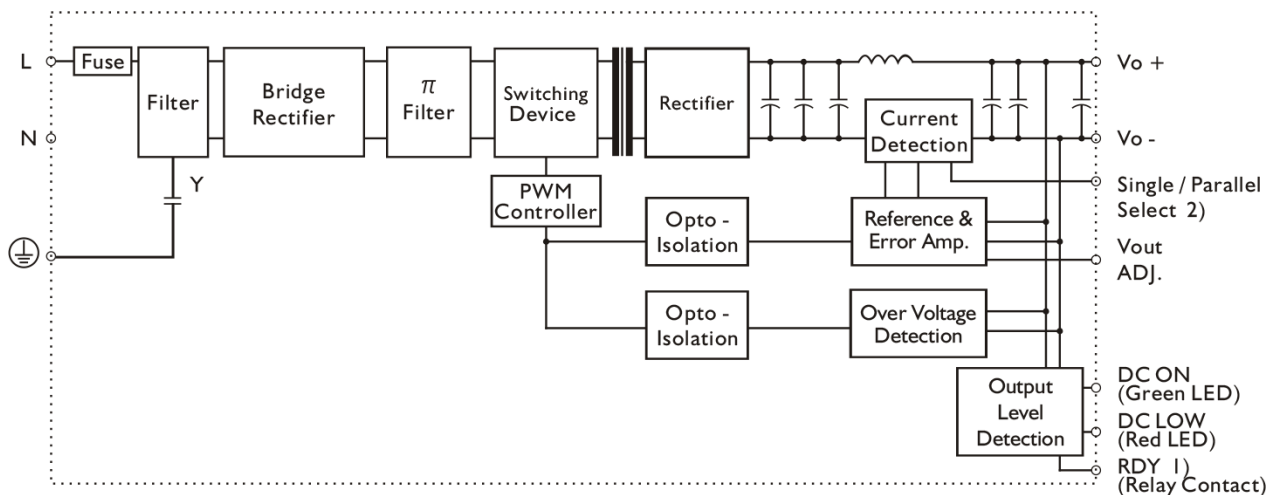
Screw Terminal

10-24AWG flexible/solid cable
Strip cable ends by 8mm

Construction

Easy, safe and secure
snap-on, snap-off
DIN-Rail mounting
(TS35/7.5 or TS35/15)

Connections



DPS Series 120W

AC-DC DIN Rail Power Supplies

- 12, 24 & 48VDC
- UL, cUL, UR, cUR, CE
- Universal input 90~264VAC
- High efficiency
- Short circuit protection
- Internal input filter
- 3 Year warranty
- IP20

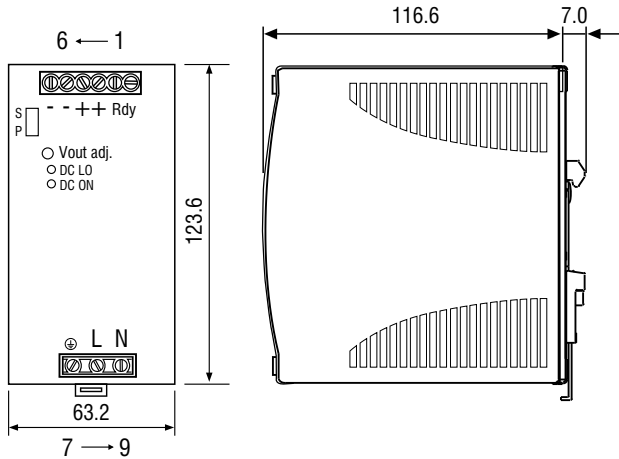


Specification - 120W Output

Model	DPS-1-120-12DC	DPS-1-120-24DC	DPS-1-120-48DC
Input Voltage	115 ~ 230VAC		
Output Wattage	120W		
Output Voltage	12VDC	24VDC	48VDC
Output Current	10A	5A	2.5A
Efficiency (min/typ)	82/84%	84/86%	85/87%
General Specification			
Approval	cURus		
Isolation Voltage	3000VAC/4242VDC		
Isolation Resistance	100MΩ @ 500VDC		
Ambient Temperature	-35 to +71°C		
Derating	(61 to 71°C) 2.5%/°C		
Storage Temperature	-40 to +85°C		
Relative Humidity	20 to 95% RH		
Cooling	Free air convection		
Dimensions	L124.5 x W64 x D123.6 mm		
Weight	920g		
Case Material	Metal		
Input Specifications			
Rated Input Voltage	115 ~ 230VAC (auto select)		
Input Voltage Range	90 to 264VAC, 210 to 375VDC		
Line Frequency	47 ~ 63Hz		
Inrush Current (115 / 230VAC)	24 / 48A		
Output Specifications			
Output Voltage Accuracy	+1%		
Minimum Load	0%		
Line Regulation	±0.5%		
Load Regulation	±1%		
Turn On Time	1000ms after AC applied to input at full resistive load		
Voltage Fall Time	150ms		
Voltage Rise Time	150ms		
Hold Up Time (115 / 230VAC)	25 / 30ms		
Temperature Coefficient	±0.03%/°C		
Ripple & Noise	50mV		
Voltage Trim Range	11.4 ~ 14.5VDC	22.5 ~ 28.5VDC	45 ~ 55VDC
DC ON & LOW Indicator (Green & Red LED)	10 ~ 11.2VDC	17.6 ~ 19.4VDC	37 ~ 43VDC
Control & Protection			
Rated Overload Protection	110 ~ 145%		
Over Voltage Protection	15 ~ 16.8VDC	30 ~ 33VDC	60 ~ 66VDC
Output Short Circuit	Fold Forward		

DPS Series 120W AC/DC DIN Rail Power Supplies

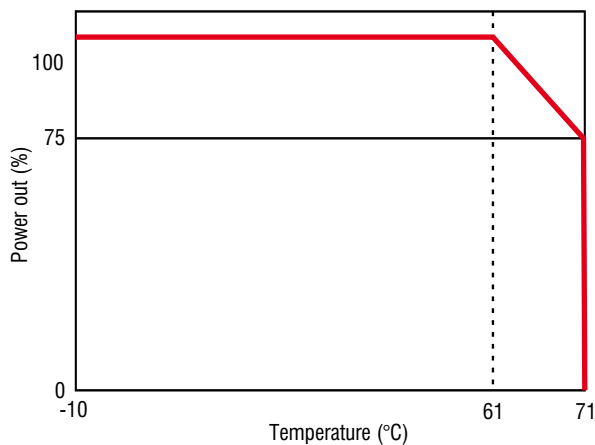
Dimensions (mm)



Pin connections

Key	Description
Rdy(1,2)	DC ON output for relay (24V models only)
+	(3) Positive output terminal
+	(4) Positive output terminal
-	(5) Negative output terminal
-	(6) Negative output terminal
	(7) Ground terminal to minimize high-frequency emissions
L	(8) Input terminals (phase conductor, no polarity at DC input)
N	(9) Input terminals (neutral conductor, no polarity at DC input)
DC ON	Operation indicator LED
DC LO	DC low voltage indicator LED
Vout adj.	Trimmer-potentiometer for Vout adjustment
S/P	Single/Parallel select switch

Derating



Installation

Ventilation/Cooling

Normal convection
All sides 25mm free space
for cooling recommended

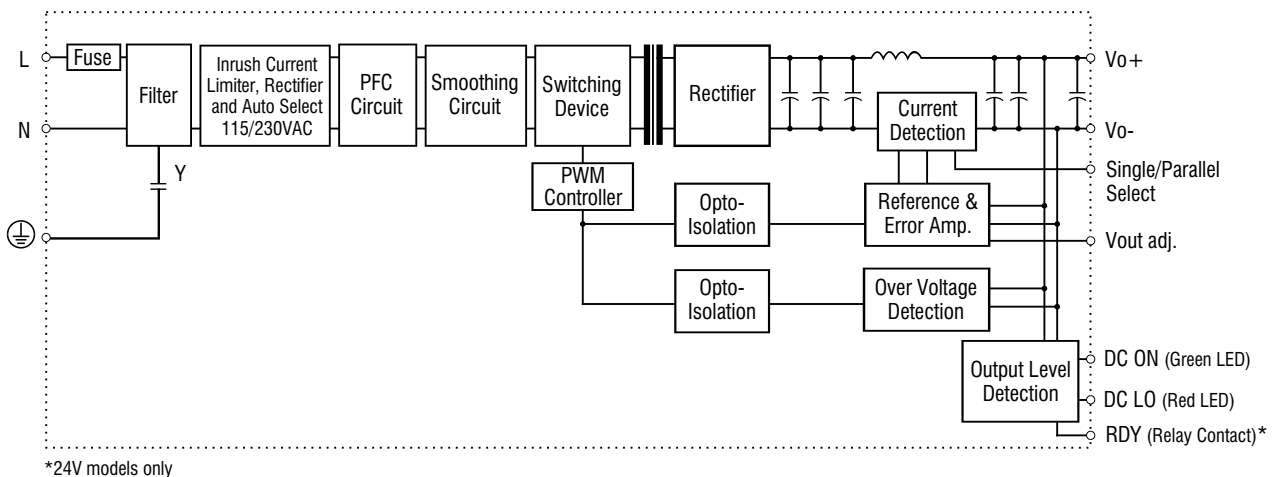
Screw Terminal

10-24AWG flexible/solid cable
Strip cable ends by 8mm

Construction

Easy, safe and secure
snap-on, snap-off
DIN-Rail mounting
(TS35/7.5 or TS35/15)

Connections



*24V models only

DPS Series 240W ~ 300W AC-DC DIN Rail Power Supplies

- 24 & 48VDC
- UL, cUL, UR, cUR, CE
- Universal input 90~264VAC
- High efficiency
- Short circuit protection
- Internal input filter
- 3 Year warranty
- IP20



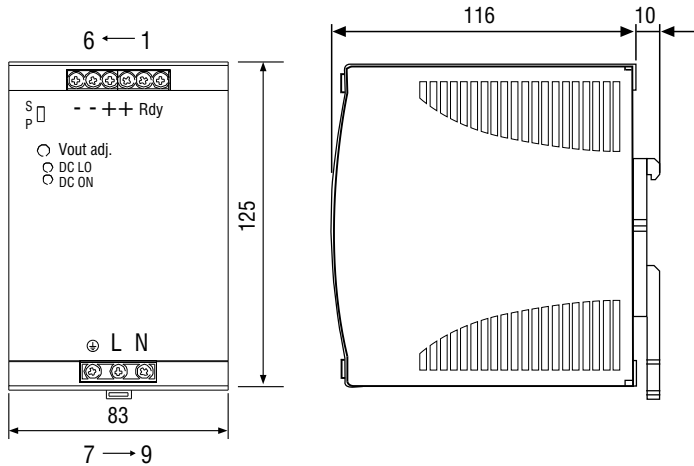
Specification - 240W/300W Output

Model	DPS-1-240-24DC	DPS-1-300-24DC*	DPS-1-240-48DC	DPS-1-300-48DC*
Input Voltage	115 ~ 230VAC			
Output Wattage	240W	300W	240W	300W
Output Voltage	24VDC	24VDC	48VDC	48VDC
Output Current	10A	12.5A	5A	6.5A
Efficiency (min/typ)	87/89%	87/89%	88/90%	88/90%
General Specification				
Approval	cURus			
Isolation Voltage	3000VAC/4242VDC			
Isolation Resistance	100MΩ @ 500VDC			
Ambient Temperature	-40 to +71°C	-30 to +71°C	-40 to +71°C	-30 to +71°C
Derating	(61 to 71°C) 2.5%/°C			
Storage Temperature	-40 to +85°C			
Relative Humidity	20 to 95% RH			
Cooling	Free air convection			
Dimensions	L124.5 x W83.5 x D123.6 mm			
Weight	1380g	1400g	1380g	1400g
Case Material	Metal			
Input Specifications				
Rated Input Voltage	115 ~ 230VAC			
Input Voltage Range	90 to 264VAC, 210 to 375VDC			
Line Frequency	47 ~ 63Hz			
Inrush Current (115 / 230VAC)	30 / 60A	35 / 65A	30 / 60A	35 / 65A
Output Specifications				
Output Voltage Accuracy	+1%			
Minimum Load	0%			
Line Regulation	±0.5%			
Load Regulation	±1%			
Turn On Time	1000ms after AC applied to input at full resistive load			
Voltage Fall Time	150ms			
Voltage Rise Time	150ms			
Hold Up Time (115 / 230VAC)	25 / 30ms			
Temperature Coefficient	±0.03%/°C			
Ripple & Noise	100mV			
Voltage Trim Range	22.5 ~ 28.5VDC		47 ~ 56VDC	
DC ON & LOW Indicator (Green & Red LED)	17.6 ~ 19.4VDC		37 ~ 43VDC	
Control & Protection				
Rated Overload Protection	120 ~ 145%			
Over Voltage Protection	30 ~ 33VDC		60 ~ 66VDC	
Output Short Circuit	Fold Forward			

* Not cULus or UL 60950-1 listed

DPS Series 240W ~ 300W AC/DC DIN Rail Power Supplies

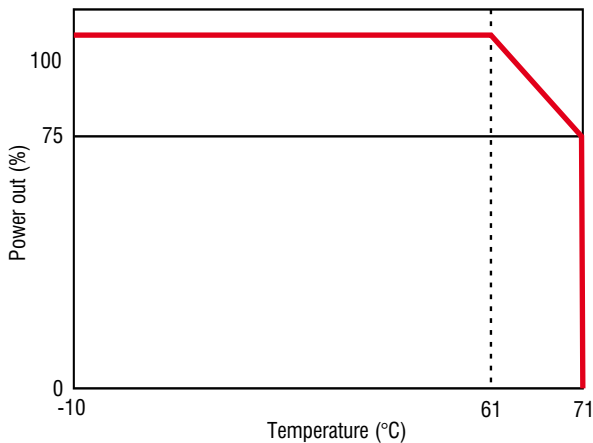
Dimensions (mm)



Pin connections

Key	Description
Rdy(1,2)	DC ON output for relay (24V models only)
+	(3) Positive output terminal
+	(4) Positive output terminal
-	(5) Negative output terminal
-	(6) Negative output terminal
⏏	(7) Ground terminal to minimize high-frequency emissions
L	(8) Input terminals (phase conductor, no polarity at DC input)
N	(9) Input terminals (neutral conductor, no polarity at DC input)
DC ON	Operation indicator LED
DC LO	DC low voltage indicator LED
Vout adj.	Trimmer-potentiometer for Vout adjustment
S/P	Single/Parallel select switch

Derating



Installation

Ventilation/Cooling

Normal convection
All sides 25mm free space
for cooling recommended

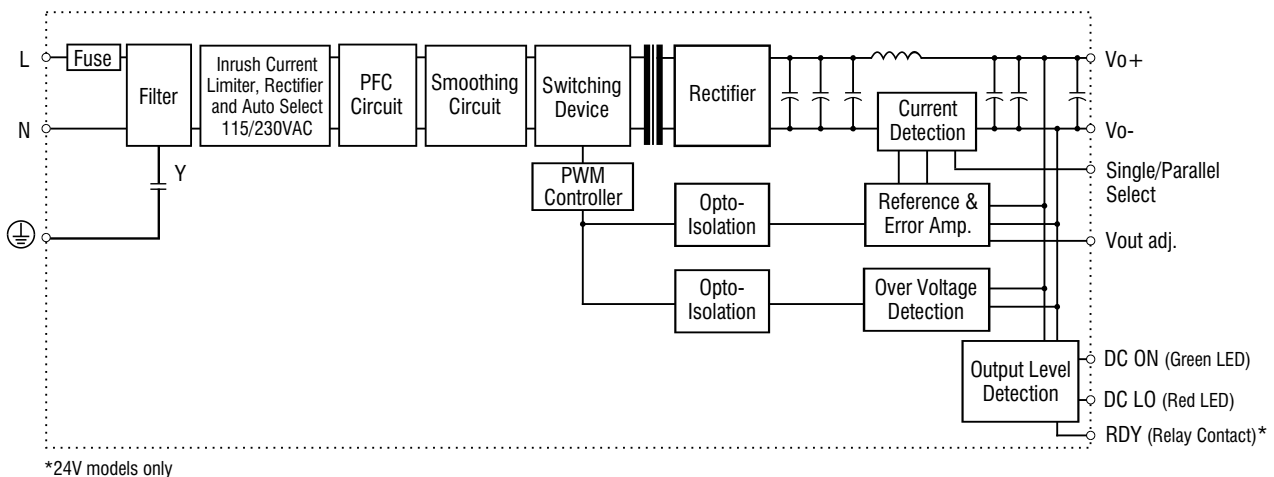
Screw Terminal

10-24AWG flexible/solid cable
Strip cable ends by 8mm

Construction

Easy, safe and secure
snap-on, snap-off
DIN-Rail mounting
(TS35/7.5 or TS35/15)

Connections



*24V models only

DPS Series 480W Contact sales 817-375-0023

AC-DC DIN Rail Power Supplies

- 24 & 48VDC
- UL, cUL, UR, cUR, CE
- Universal input 90~264VAC
- High efficiency
- Short circuit protection
- Internal input filter
- 3 Year warranty
- IP20

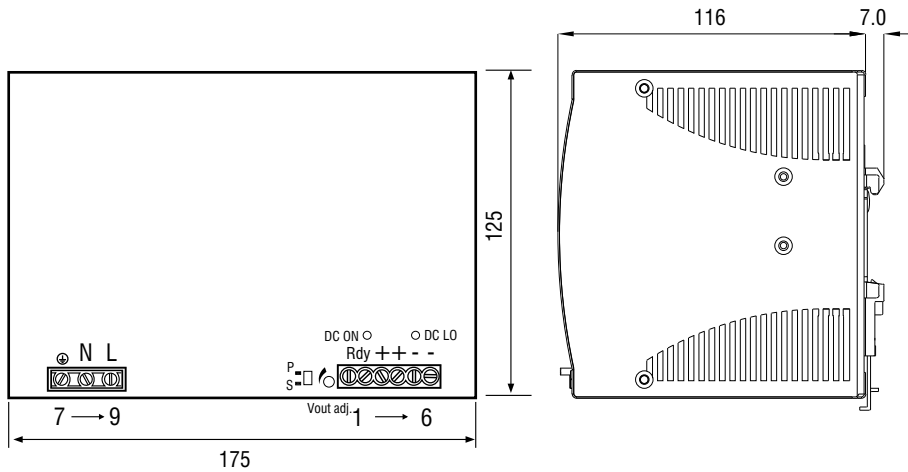


Specification - 480W Output

Model	DPS-1-480-24DC	DPS-1-480-48DC
Input Voltage	90 ~ 264VAC	
Output Wattage	480W	
Output Voltage	24VDC	48VDC
Output Current	20A	10A
Efficiency (min/typ)	86/89%	87/90%
General Specification		
Approval	cURus	
Isolation Voltage	3000VAC/4242VDC	
Isolation Resistance	100MΩ @ 500VDC	
Ambient Temperature	-40 to +71°C	
Derating	(61 to 71°C) 2.5%/°C	
Storage Temperature	-40 to +85°C	
Relative Humidity	20 to 95% RH	
Cooling	Free air convection	
Dimensions	L124.5 x W175.5 x D123.6 mm	
Weight	1920g	
Case Material	Metal	
Input Specifications		
Rated Input Voltage	115 ~ 230VAC	
Input Voltage Range	90 to 264VAC, 120 to 375VDC	
Line Frequency	47 ~ 63Hz	
Inrush Current (115 / 230VAC)	25 / 50A	
Output Specifications		
Output Voltage Accuracy	+1%	
Minimum Load	0%	
Line Regulation	±0.5%	
Load Regulation	±1%	
Turn On Time	1000ms after AC applied to input at full resistive load	
Voltage Fall Time	150ms	
Voltage Rise Time	150ms	
Hold Up Time (115 / 230VAC)	25 / 30ms	
Temperature Coefficient	±0.03%/°C	
Ripple & Noise	100mV	
Voltage Trim Range	22.5 ~ 28.5VDC	47 ~ 56VDC
DC ON & LOW Indicator (Green & Red LED)	17.6 ~ 19.4VDC	37 ~ 43VDC
Control & Protection		
Rated Overload Protection	110 ~ 140%	
Over Voltage Protection	30 ~ 33VDC	60 ~ 66VDC
Output Short Circuit	Fold Forward	

DPS Series 480W AC/DC DIN Rail Power Supplies

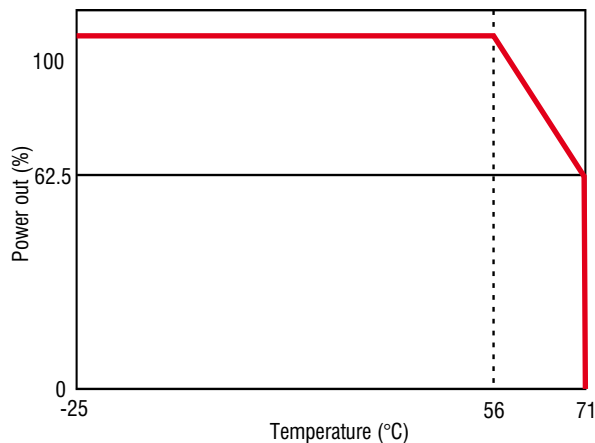
Dimensions (mm)



Pin connections

Key	Description
Rdy(1,2)	DC ON output for relay (24V models only)
+	(3) Positive output terminal
+	(4) Positive output terminal
-	(5) Negative output terminal
-	(6) Negative output terminal
⏏	(7) Ground terminal to minimize high-frequency emissions
N	(8) Input terminals (neutral conductor, no polarity at DC input)
L	(9) Input terminals (phase conductor, no polarity at DC input)
DC ON	Operation indicator LED
DC LO	DC low voltage indicator LED
Vout adj.	Trimmer-potentiometer for Vout adjustment
S/P	Single/Parallel select switch

Derating



Installation

Ventilation/Cooling

Normal convection
All sides 25mm free space for cooling recommended

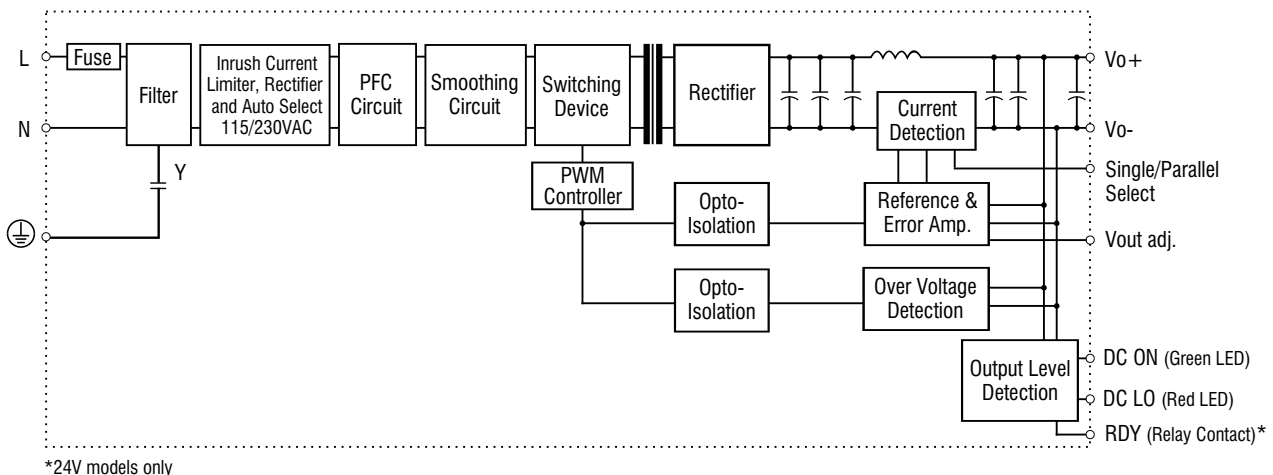
Screw Terminal

10-24AWG flexible/solid cable
Strip cable ends by 8mm

Construction

Easy, safe and secure snap-on, snap-off
DIN-Rail mounting (TS35/7.5 or TS35/15)

Connections



*24V models only