

LMB Series - LED Pilot Light

- Multi-chip LED integrated onto light surface
- IP65
- Single hole fixing Ø22.5mm
- Bright & colour intensive light distribution
- Temperature range -25°C to +55°C
- cURus, CE approval



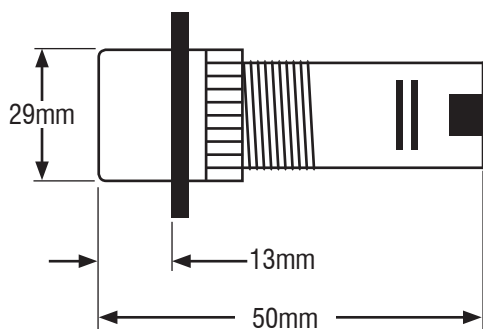
Introducing the LMB mono-block, multi-chip LED pilot light. The LMB range of LED pilot lights can be used in new installations, or a retrofit of an existing panel as they fit into a standard Ø22.5mm (7/8") hole. Besides having a bulb that outlasts a standard incandescent bulb type, LEDs are not affected by vibration or heat, making them suitable for almost every application.

Options & Ordering Codes

LMB	-	24	-	RED
Supply Voltage				
24VAC/DC		24		RED
110VAC		110		GREEN
230VAC		230		YELLOW
				WHITE
				BLUE



Dimensions



Connection Terminals

